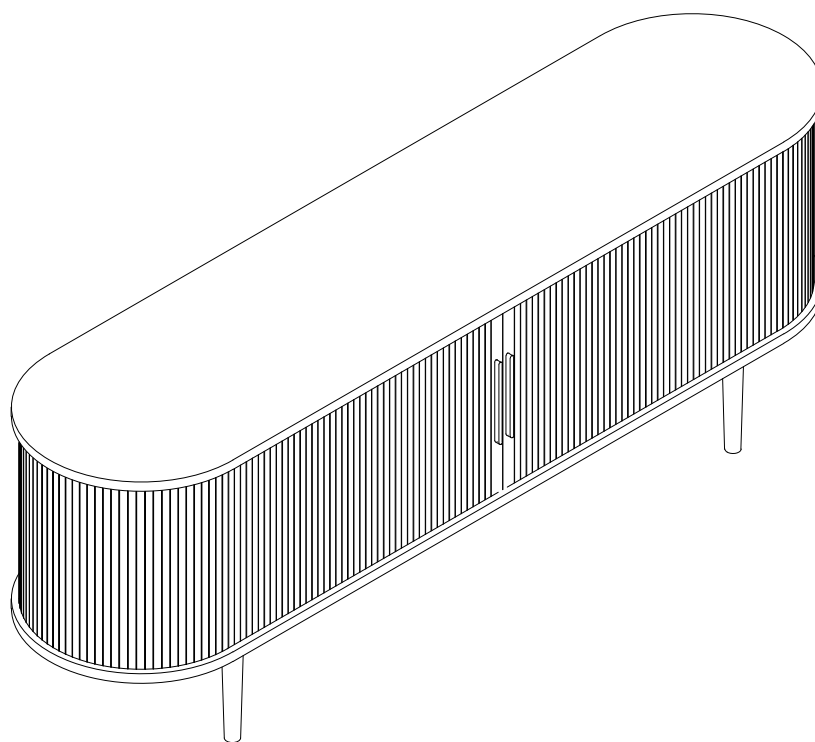


Assembly Instructions



Dimensions(W x D x H)
1600x400x580mm

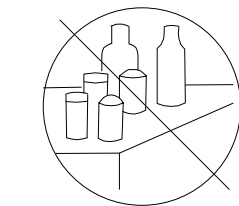
Important

Please read through instruction carefully
Before assembly and keep for future reference.

Important Tips and Maintenance



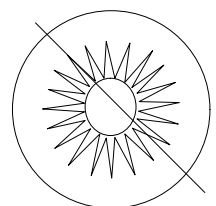
1. Keep children and animals away from working area as smaller parts may cause choking if swallowed.



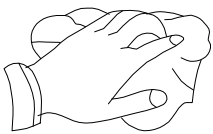
2. Never place liquids or anything damp upon furniture as it will mark. Ensure a coaster or running is beneath.



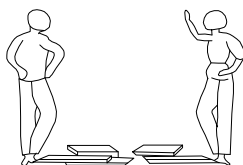
3. Never use ammonia based cleaning products as it will damage the finish.



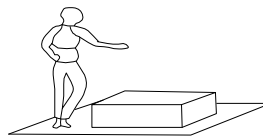
4. To avoid fading, keep furniture out of direct sunlight.



5. Use a soft or damp cloth (dry cloth) when wiping or cleaning surfaces.



6. Two person are required.



7. Lay a soft matt down to protect the furniture piece before and during assembly.

So your relationship is strong. But is it flat-pack furniture strong? Unless you're an aerospace engineer, assembling furniture can be slightly stressful. We recommend meditating quietly, pouring yourself a herbal tea (or slightly less herbal wine) and tackling things one step at a time. If you feel a passive aggressive remark coming on, try a compliment instead. E.g. "You're so good looking"

This 14-step assembly should take around 1.5 hour with an Allen Key - or 60 minutes with an electric drill. Godspeed.

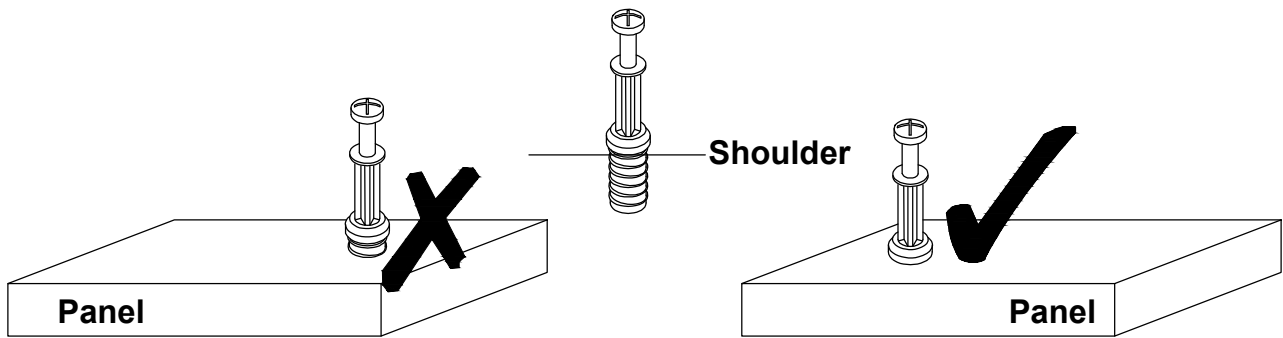
Designed for everyday

Before Assembly

Tips Before Your Start:

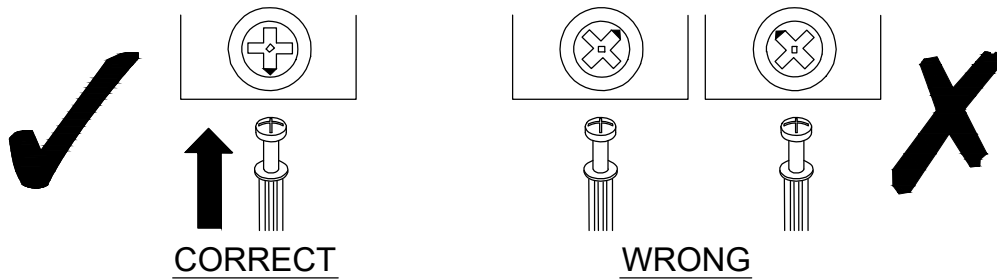
- Remove all wrapping material, including staples & packing straps before you start to assemble.
- DO NOT tighten all screws and bolts until completely assembled.
- Keep all hardware parts out of reach of children.

QUICKFIT



Tighten quickfit until shoulder is flush with panel. Do not overtighten or undertighten.

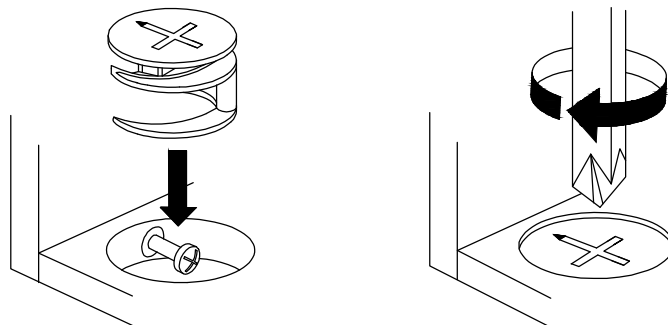
CAM LOCK



When fitting cam lock, ensure starting position is correct before you insert connecting quickfit.

Quickfit head should be in the centre of the cam lock when the two panels are joined.

Cam lock should be inserted before quickfit.



Turn cam lock clockwise to tighten.

Component Hardware

Please check you have all the fittings
part or tools are listed in below.

No. A
Quantity:10Pcs
Cam Lock Dowel
8*28mm



No. B
Quantity:2Pcs
Full Thread Screw
M6*30mm



No. C
Quantity:10Pcs
Cam
φ15



No. D
Quantity:2Pcs
Full Thread Screw
M6*55mm



No. E
Quantity:12Pcs
Screw
M6*50mm



No. F
Quantity:1Pc
Allen Key
4#



No. G
Quantity:6Pcs
Assembly Assistor



No. H
Quantity:3Pcs
Full Thread Screw
8*30mm



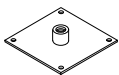
No. I
Quantity:2Pcs
Screw
M6*35mm



No. J
Quantity:4Pcs
Full Thread Screw
M8*35mm



No. K
Quantity:4Pcs
Foot Plate
70*70mm



No. L
Quantity:16Pcs
Screw
4*16mm



No. M
Quantity:4Pcs
Foot Pad
φ20



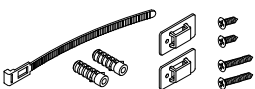
No. N
Quantity:2Pcs
Handle
200*20mm



No. O
Quantity:4Pcs
Screw
4*12



No. P
Quantity:1Set
Anti-falling Parts



No. Q
Quantity:10Pcs
Sticker



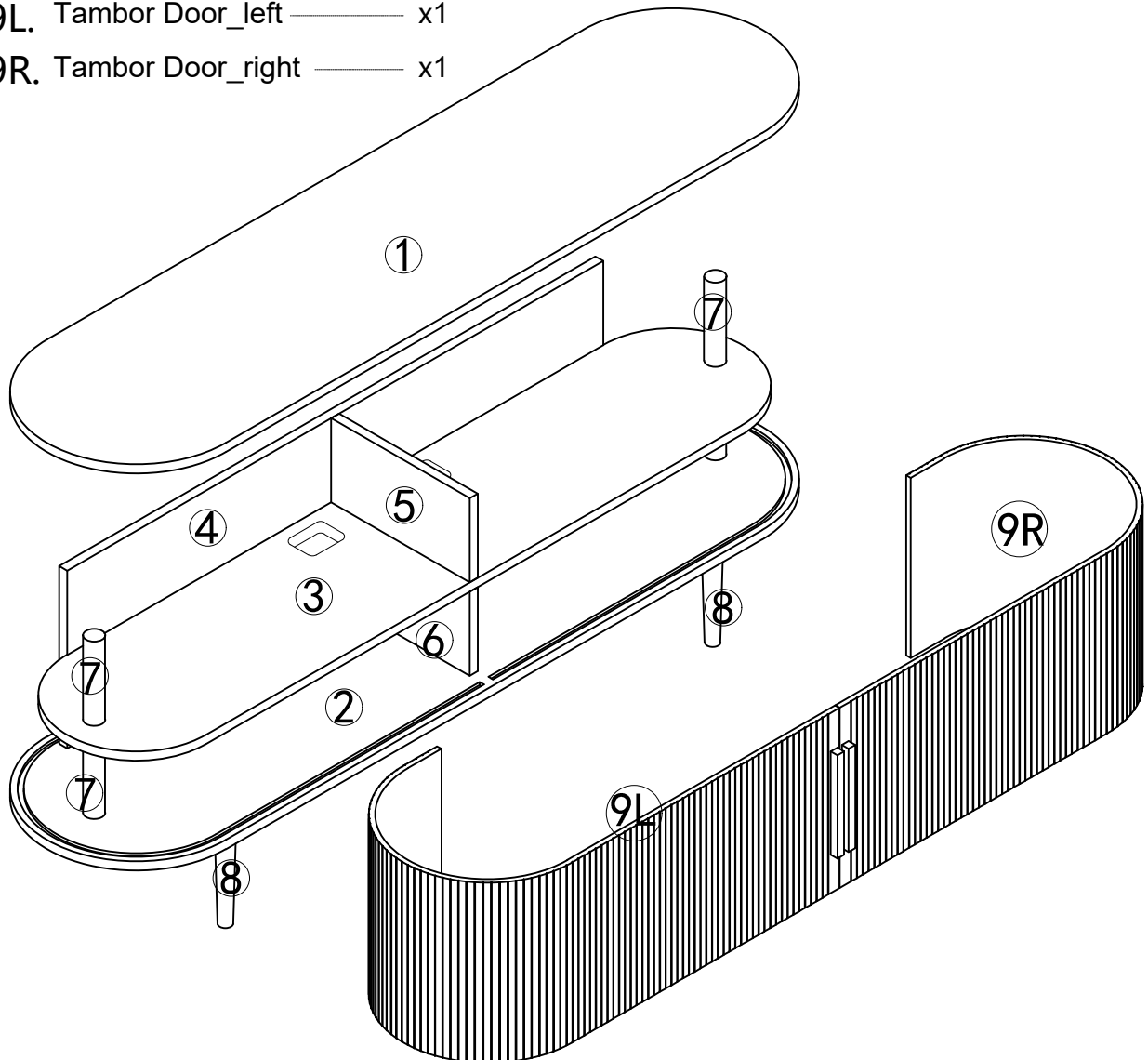
No. R
Quantity:1Pc
Allen Key
5#



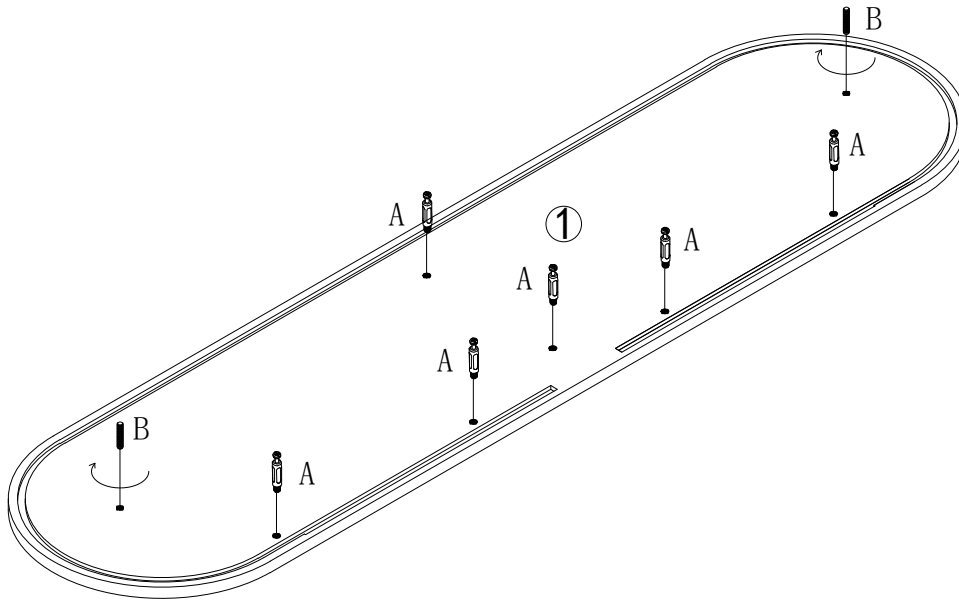
Component Panels & part List

Please check you have all the panels
are listed below.

1. Top Panel ————— x1
2. Bottom Panel ————— x1
3. Shelf ————— x1
4. Back Panel ————— x1
5. Division Panel_up ——— x1
6. Division Panel_down ——— x1
7. Supporting Pillar ——— x4
8. Leg ————— x4
- 9L. Tambor Door_left ——— x1
- 9R. Tambor Door_right ——— x1



STEP 1



No. A

Quantity:6 Pcs

Cam Lock Dowel
8*28 mm



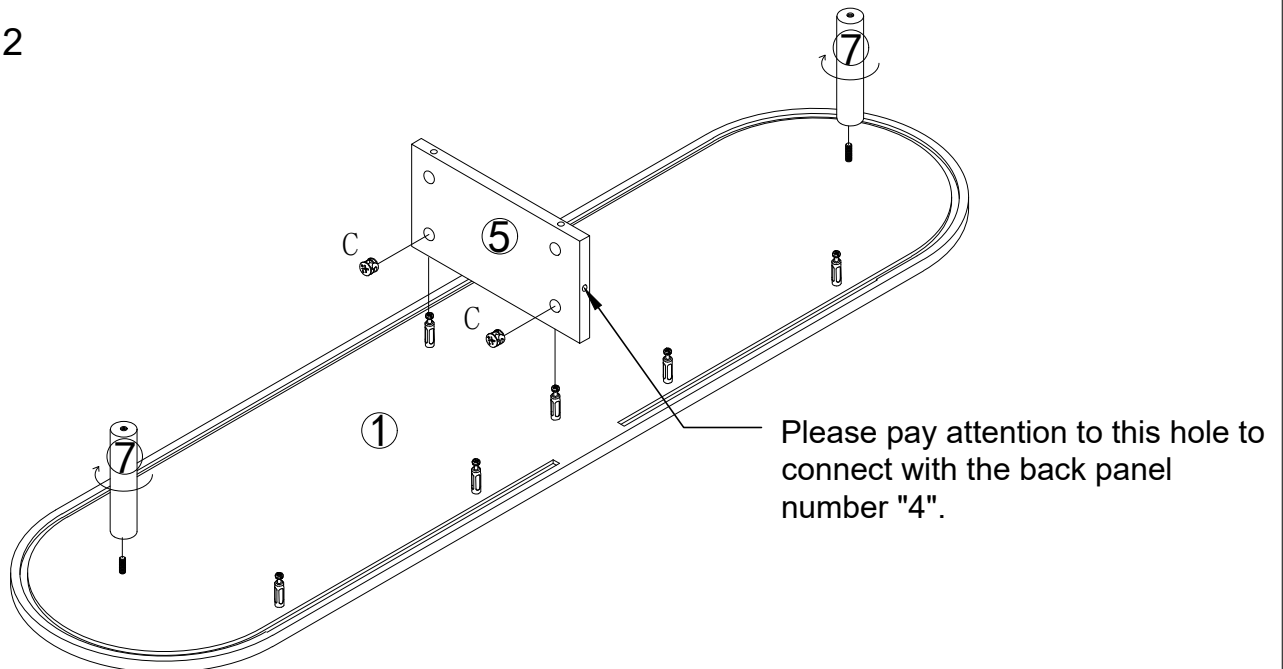
No. B

Quantity:2 Pcs

Full Thread Screw
M6*30 mm



STEP 2



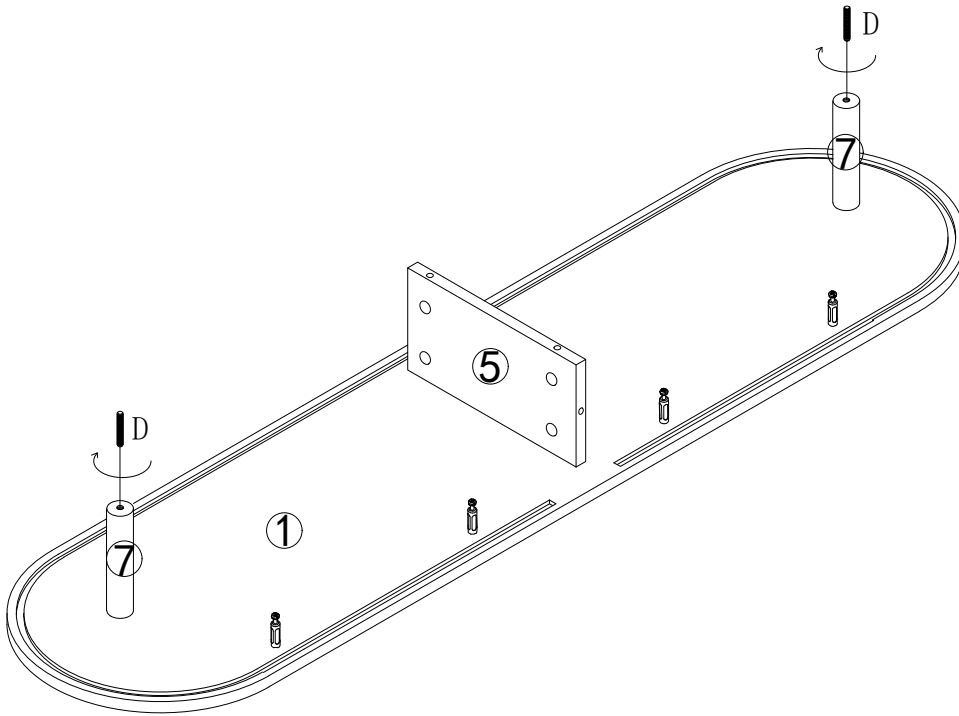
No. C

Quantity:2 PcS

Cam



STEP 3



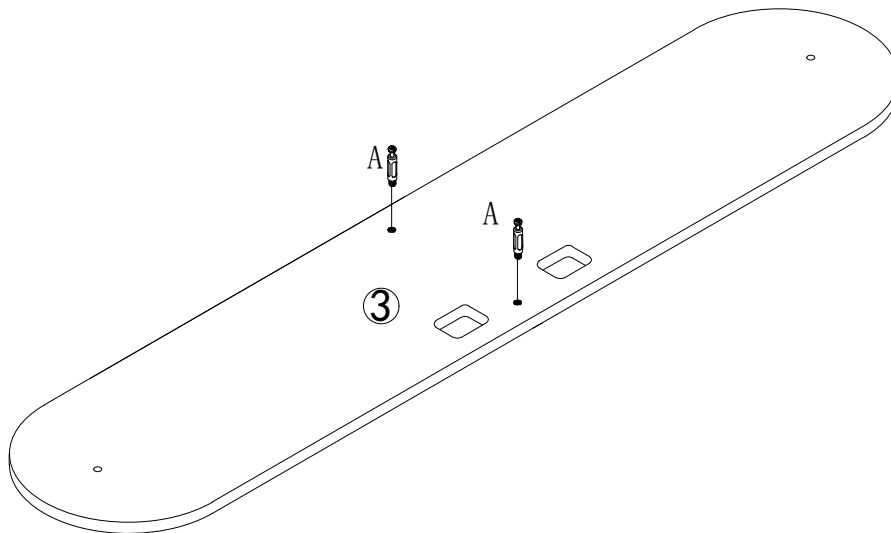
No. D

Quantity: 2Pcs

Full Thread Screw
M6*50 mm



STEP 4



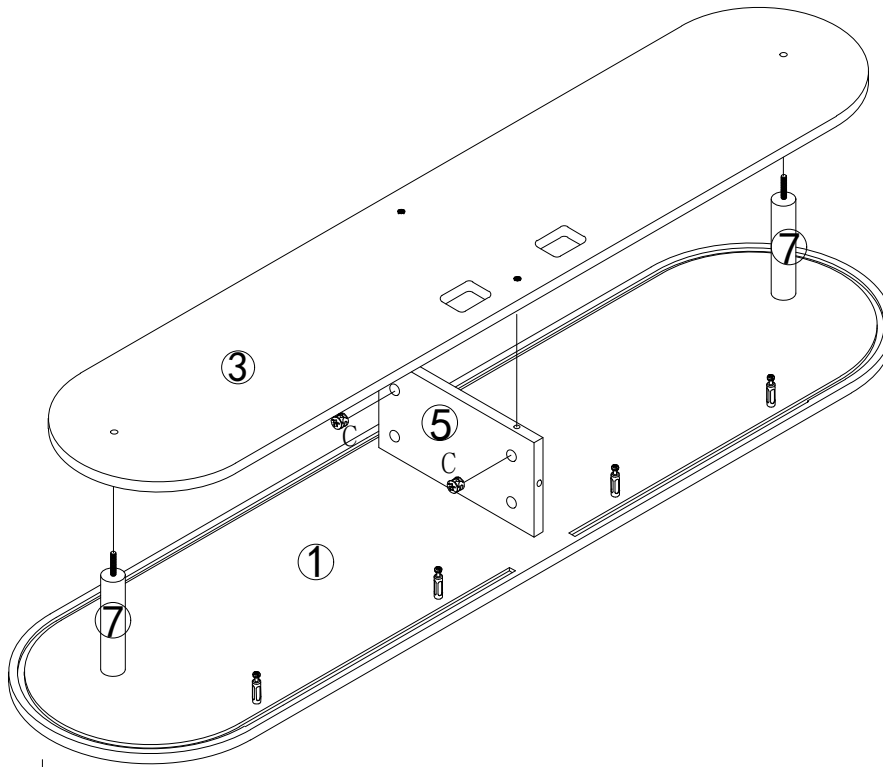
No. A

Quantity: 2 Pcs

Cam Lock Dowel
8*28 mm



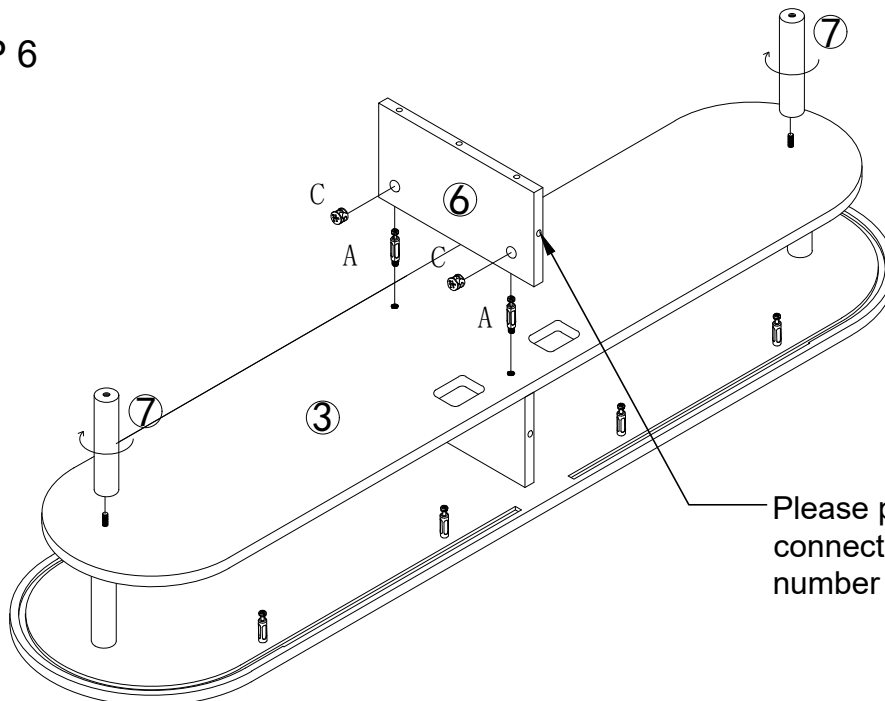
STEP 5



No. C
Quantity: 2 Pcs
Cam



STEP 6



Please pay attention to this hole to connect with the back panel number "4".

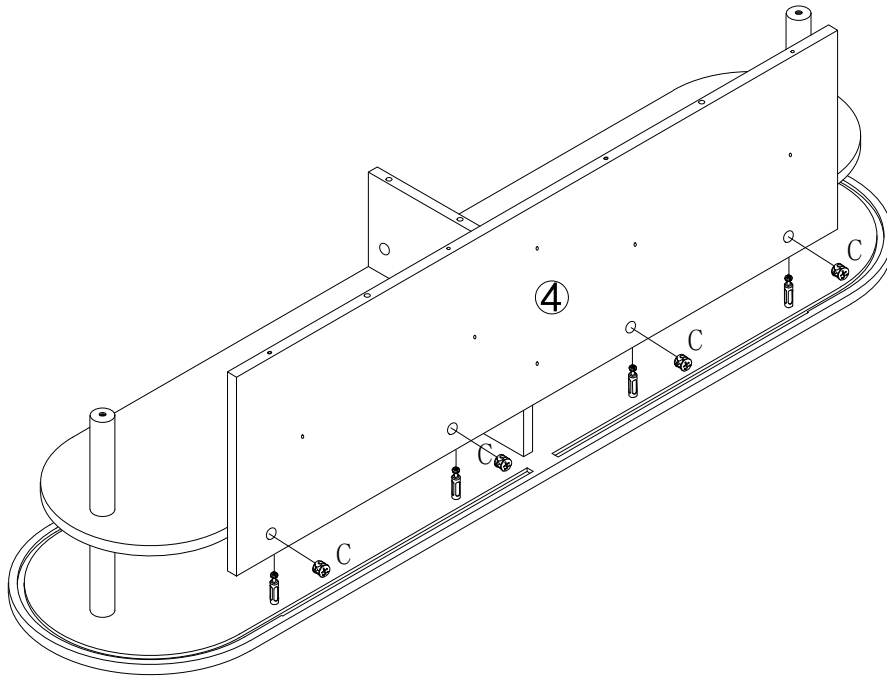
No. A
Quantity: 2 Pcs
Cam Lock Dowel
8*28 mm



No. C
Quantity: 2 Pcs
Cam



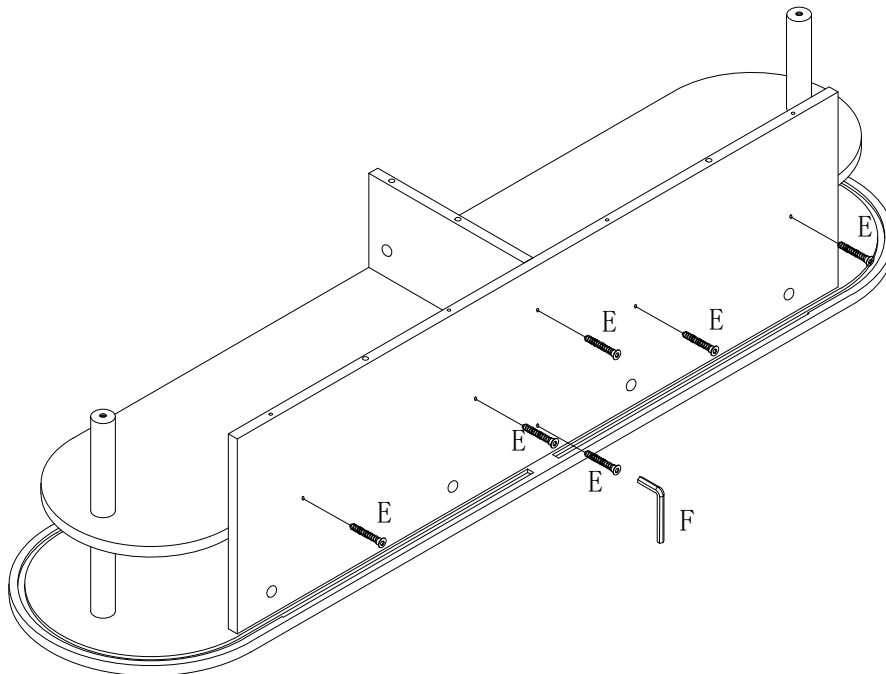
STEP 7



No. C
Quantity: 4 Pcs
Cam



STEP 8



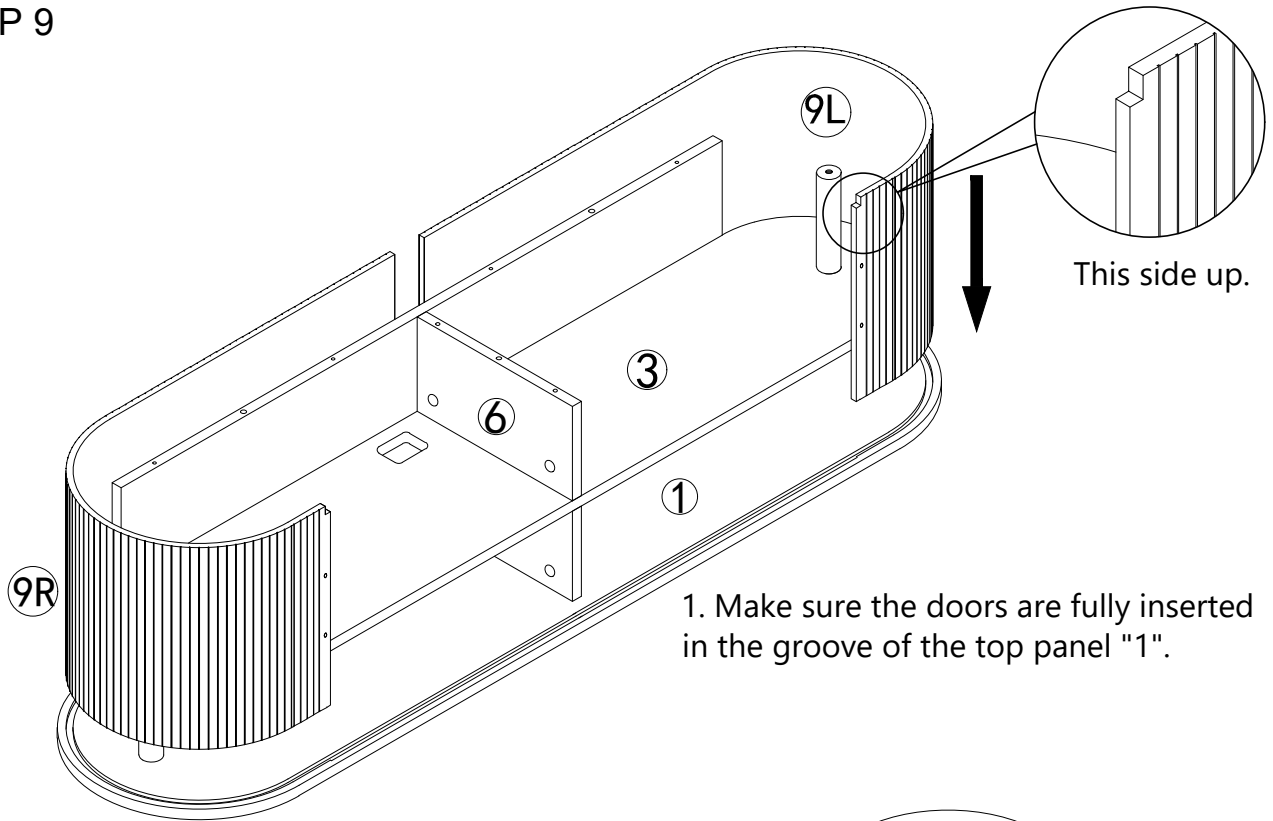
No. E
Quantity: 6 Pcs
Screw
M6*50mm



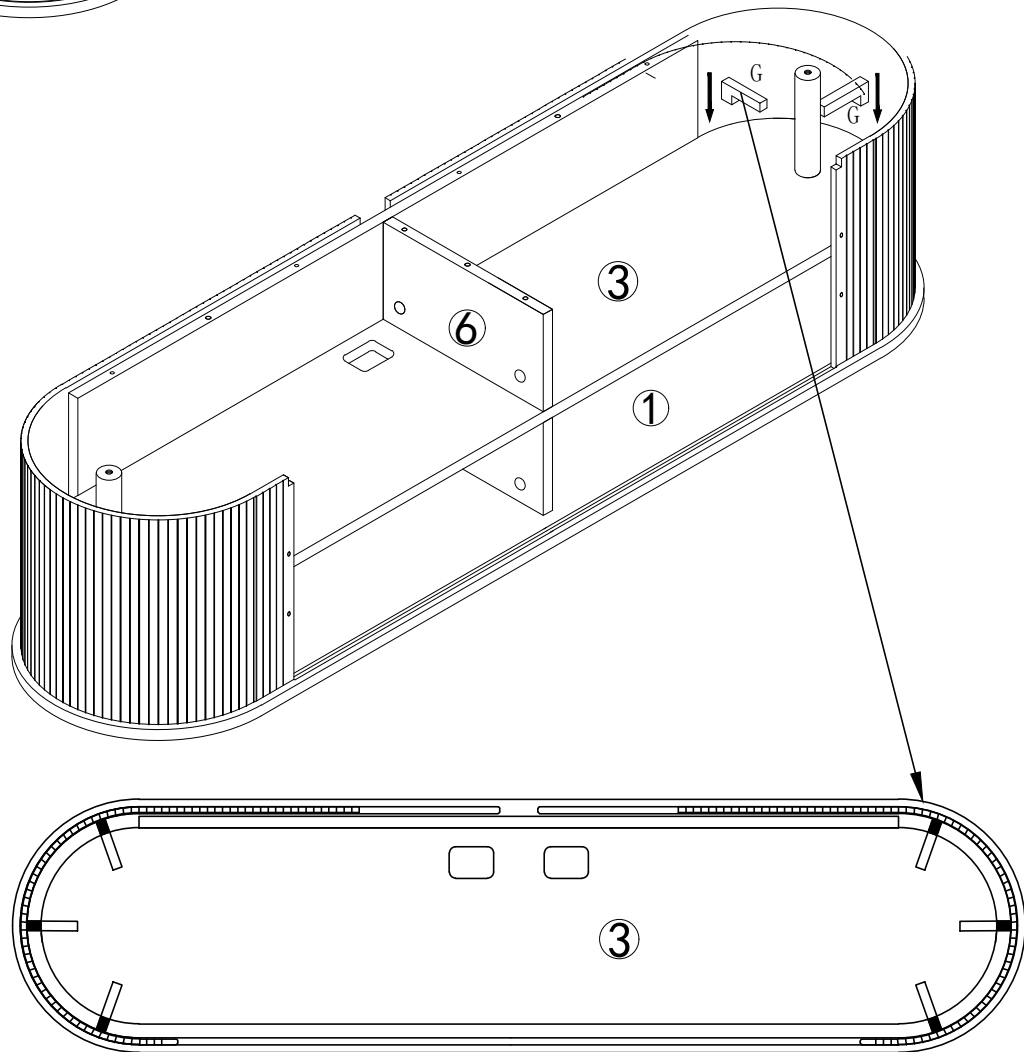
No. F
Quantity: 1 Pc
Allen Key
4#



STEP 9



1. Make sure the doors are fully inserted in the groove of the top panel "1".



2. Put the Assembly Assistor "part G" at the edge of the shelf Panel "3"

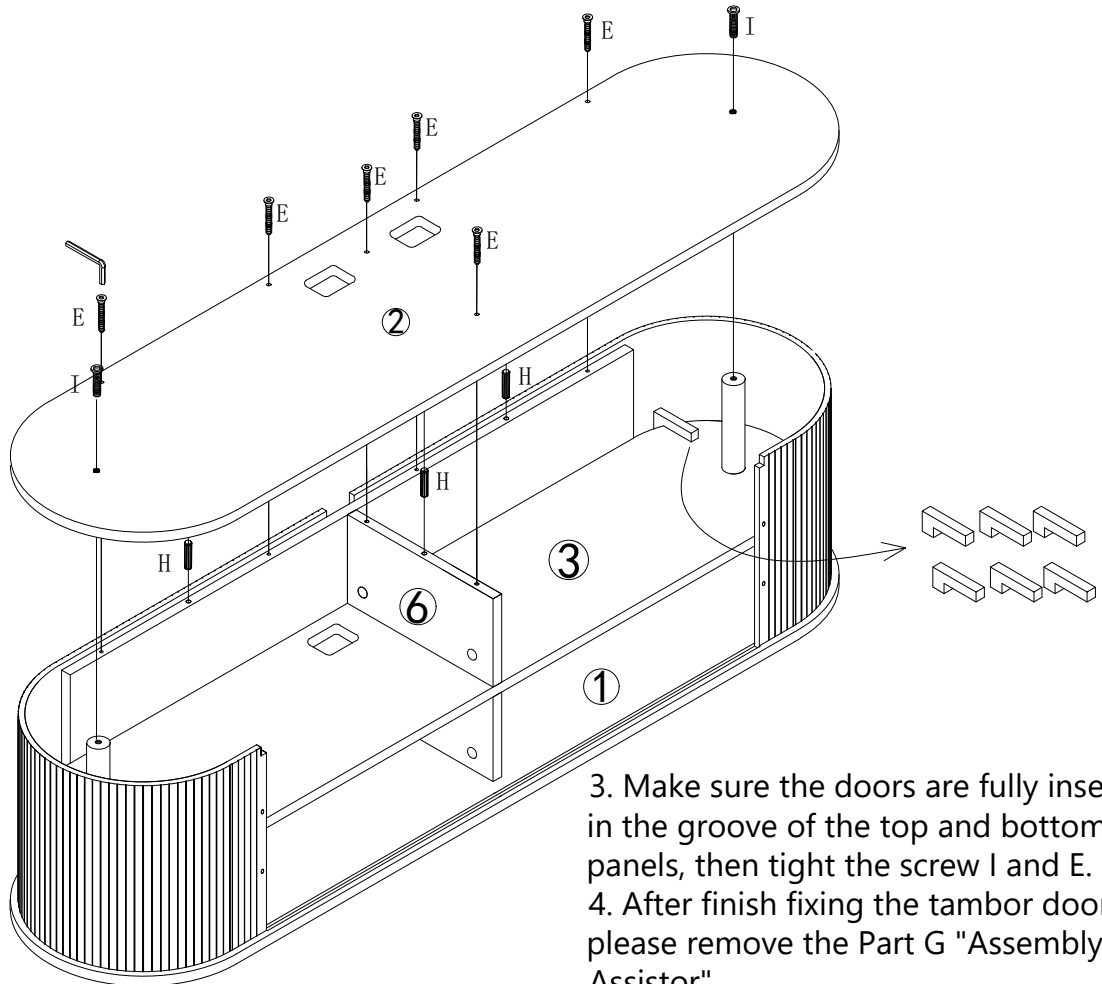
No. G

Quantity: 6 Pcs

Assembly Assistor



STEP 10



3. Make sure the doors are fully inserted in the groove of the top and bottom panels, then tight the screw I and E.
 4. After finish fixing the tambor doors, please remove the Part G "Assembly Assistor"

No. E
 Quantity:6 Pcs
 Screw
 M6*50mm



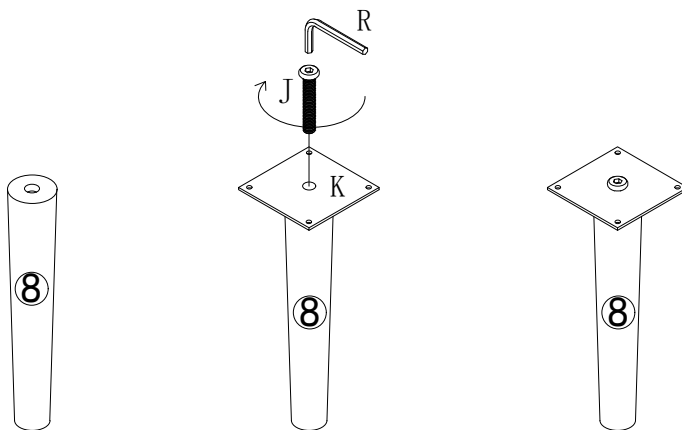
No. H
 Quantity:3 Pcs
 Dowel
 8*30mm



No. I
 Quantity:2 Pcs
 Screw
 M6*35mm



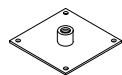
STEP 11



No. J
 Quantity:4 Pcs
 Full Thread Screw
 M8*35mm



No. K
 Quantity:4 Pcs
 Foot Plate

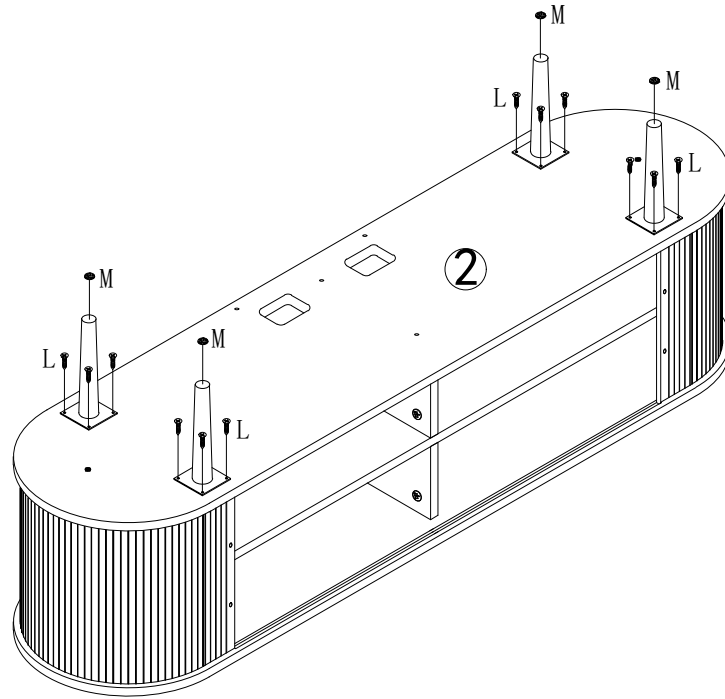


No. R
 Quantity:1 Pc
 Allen Key
 5#



x4

STEP 12



No. L

Quantity: 16 Pcs

Screw
4*16 mm



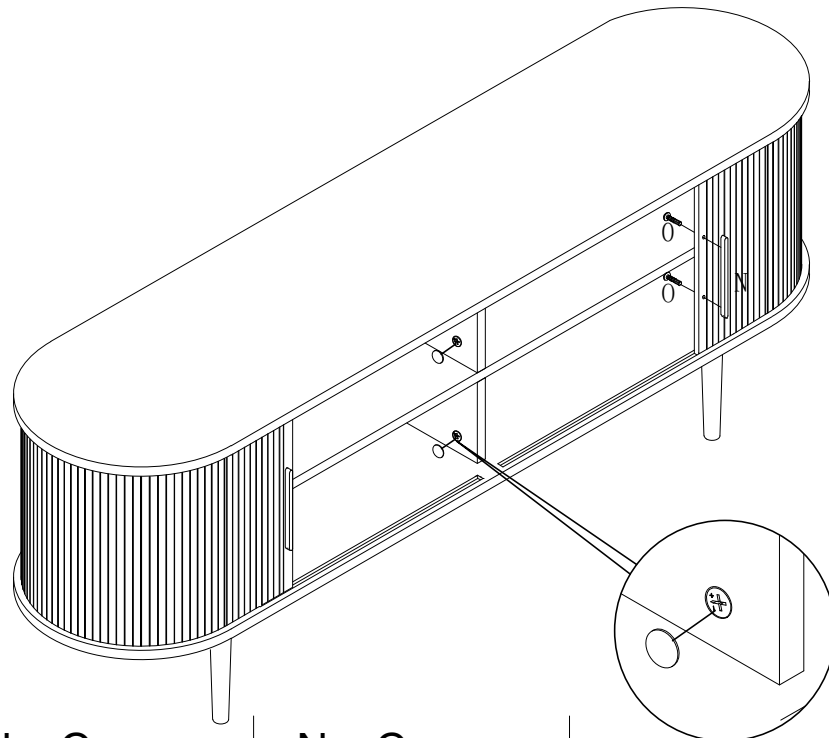
No. M

Quantity: 4 Pcs

Foot Pad
φ20



STEP 13



No. N

Quantity: 2 Pcs

Dowel
200*20 mm



No. O

Quantity: 4 Pcs

Screw
4*12 mm



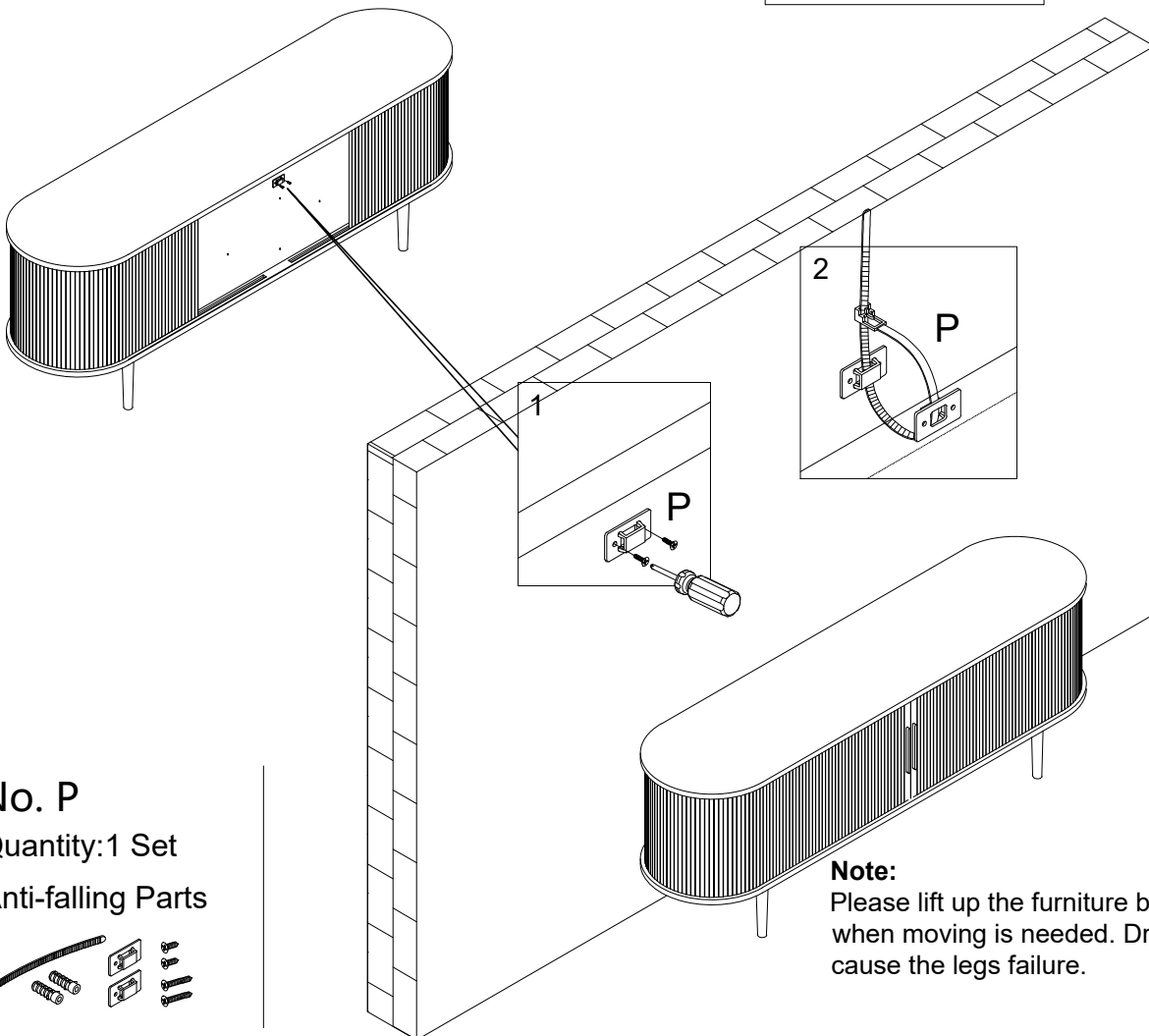
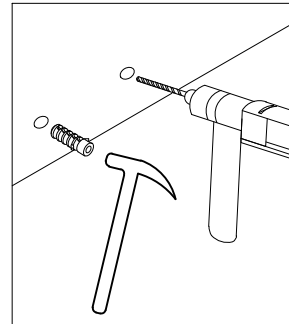
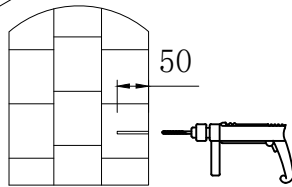
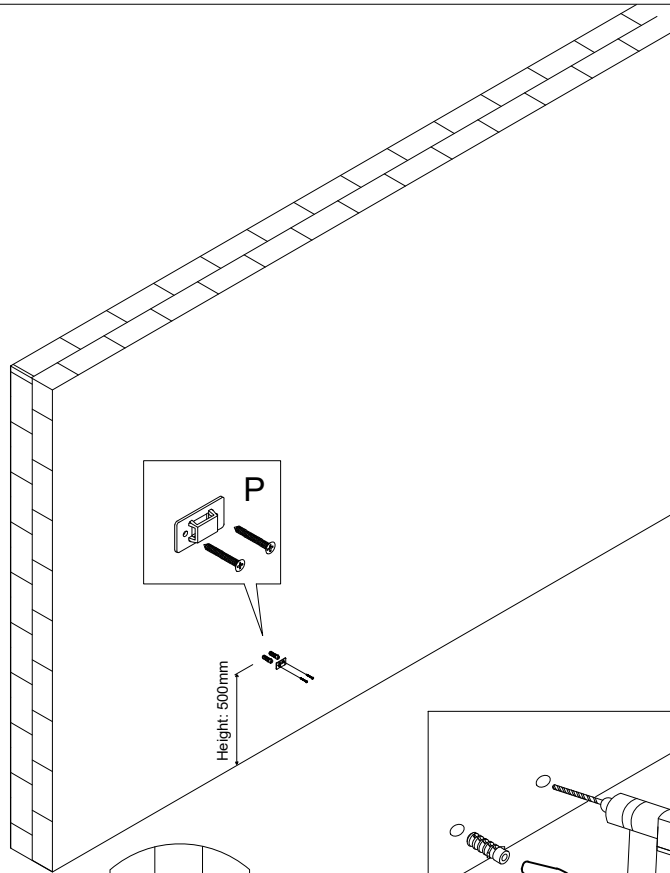
No. Q

Quantity: 10 Pcs

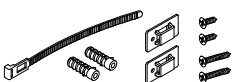
Sticker
φ20



STEP 14



No. P
Quantity: 1 Set
Anti-falling Parts



Note:
Please lift up the furniture by two people when moving is needed. Dragging may cause the legs failure.