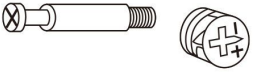
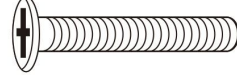
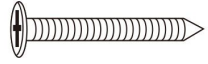
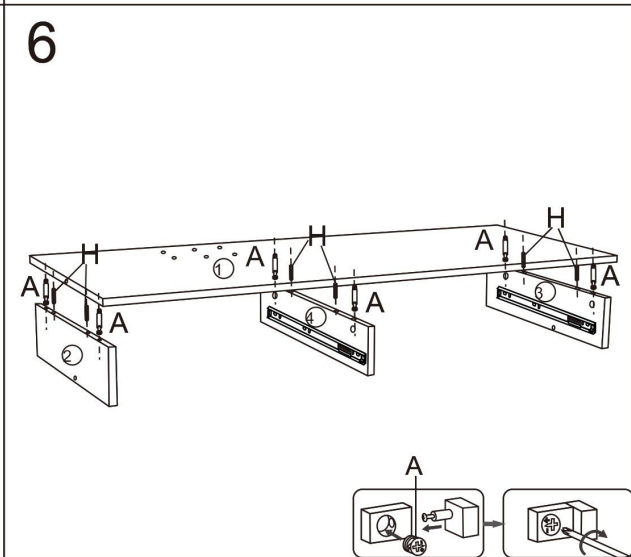
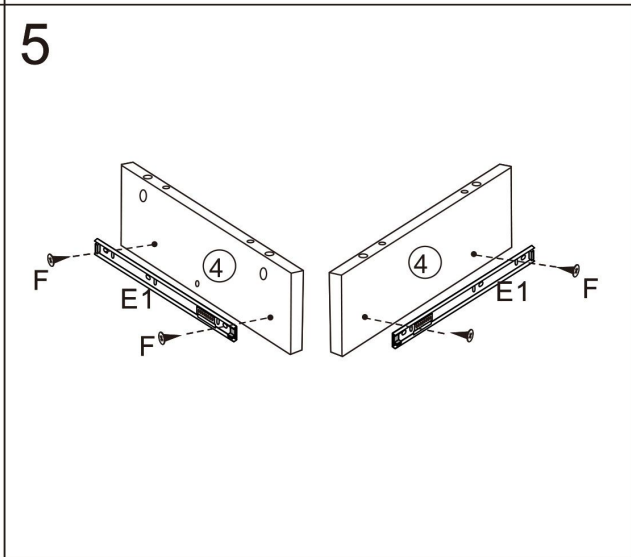
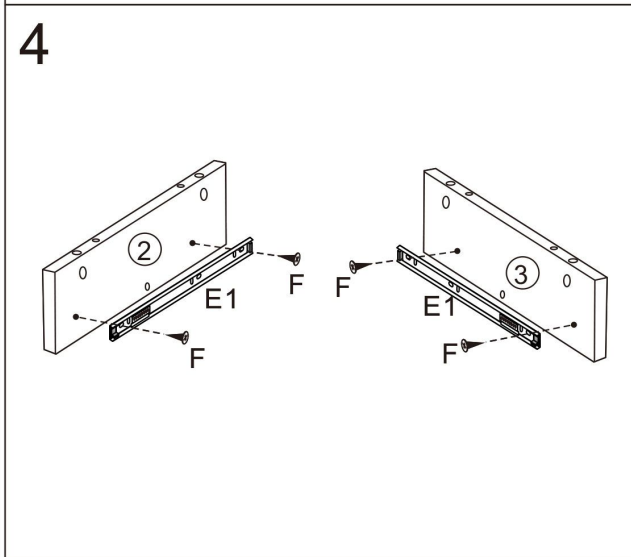
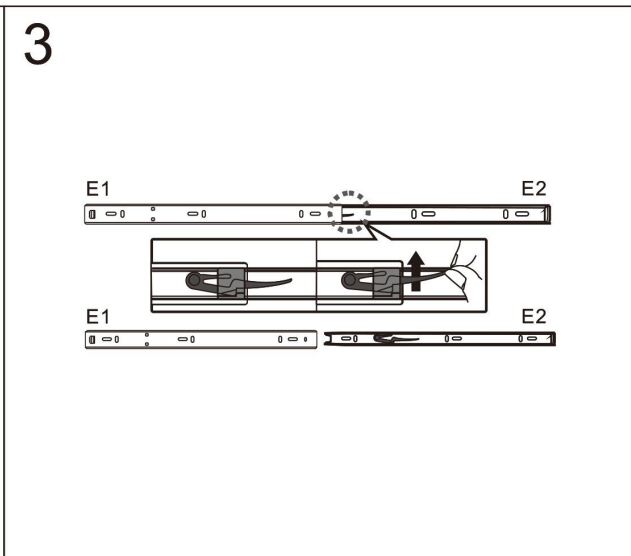
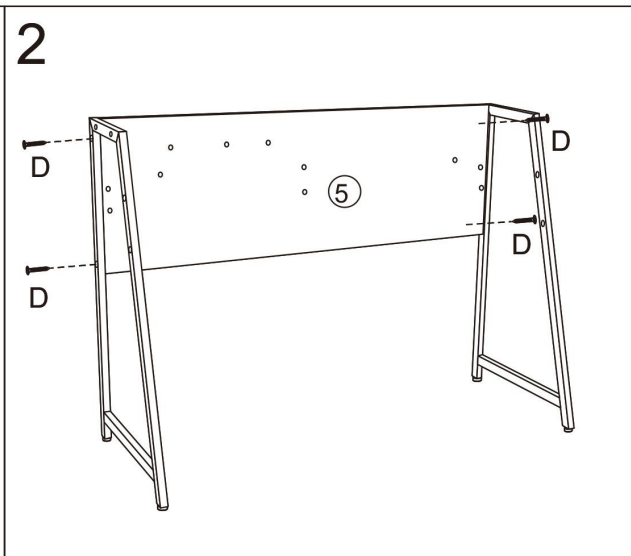
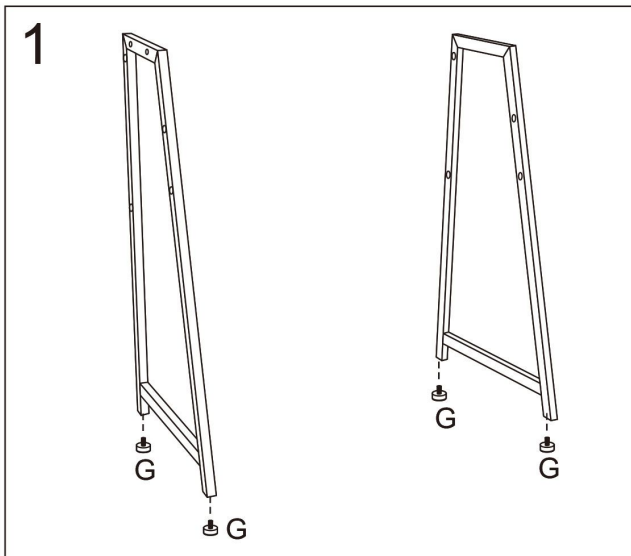


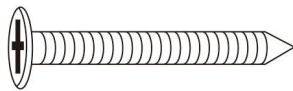


# Instrukcja montażu biurko Gemora

<b>A</b>  16pcs	<b>B</b>  M6X50mm 2pcs	<b>C</b>  ST5X40mm 9pcs
--	---	---




**D**



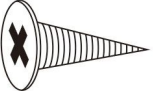
ST5X50mm  
25pcs

**E**



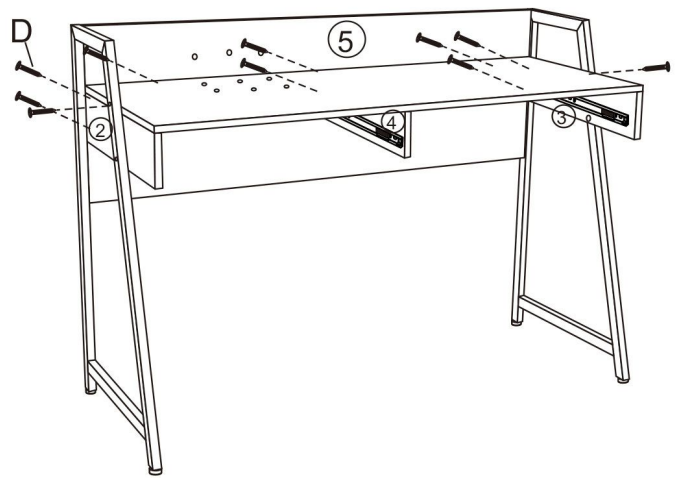
4pcs

**F**

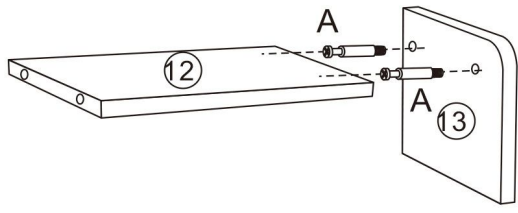
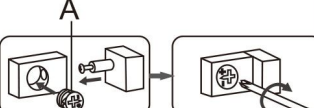


ST3.5X12mm  
16pcs

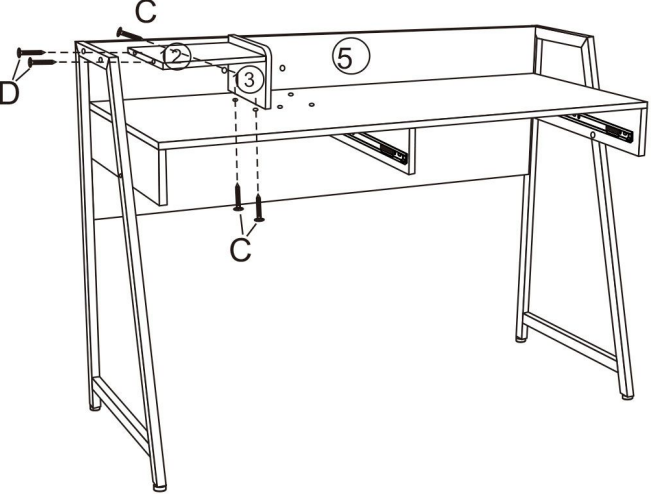
**7**



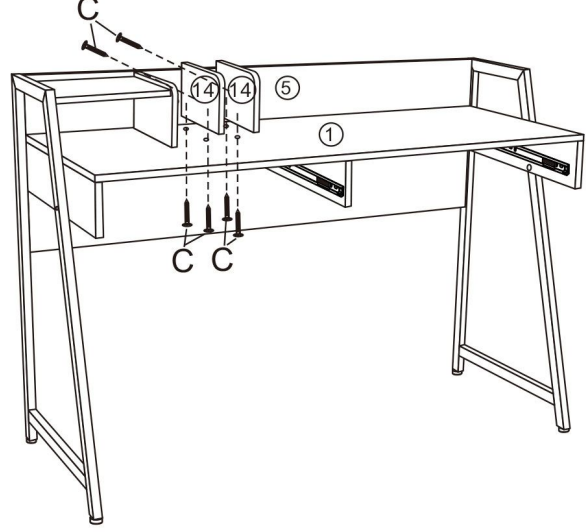
**8**

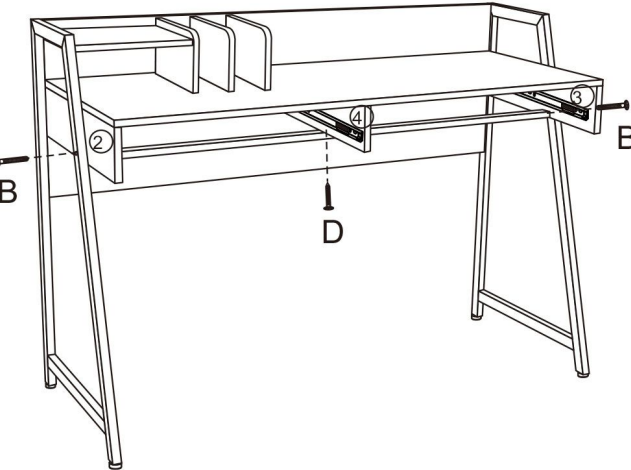
**9**



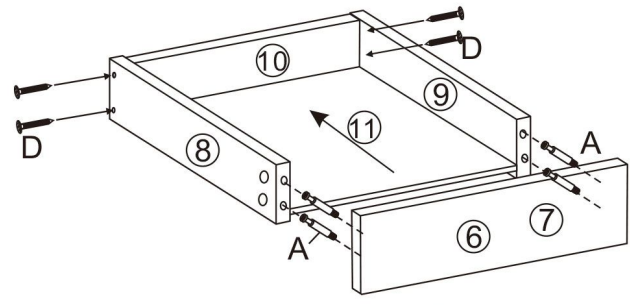
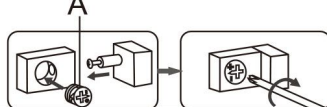
**10**



**11**



**12**

G



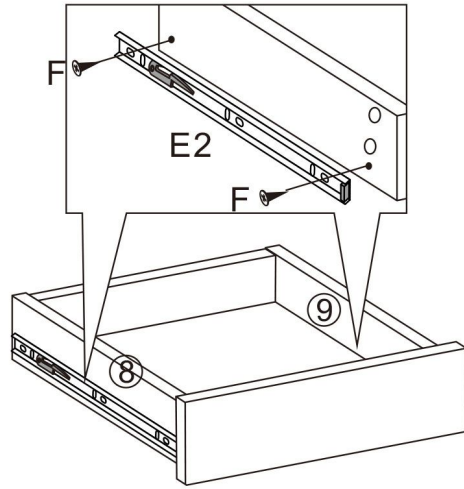
4pcs

H

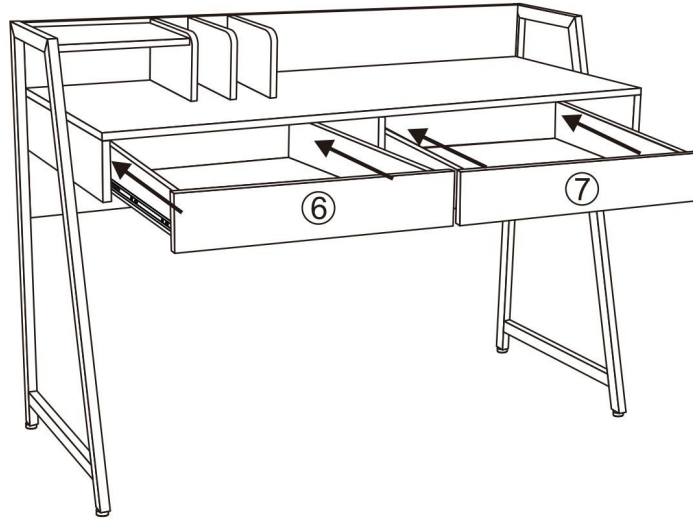


8X30mm  
6pcs

13



14



15

