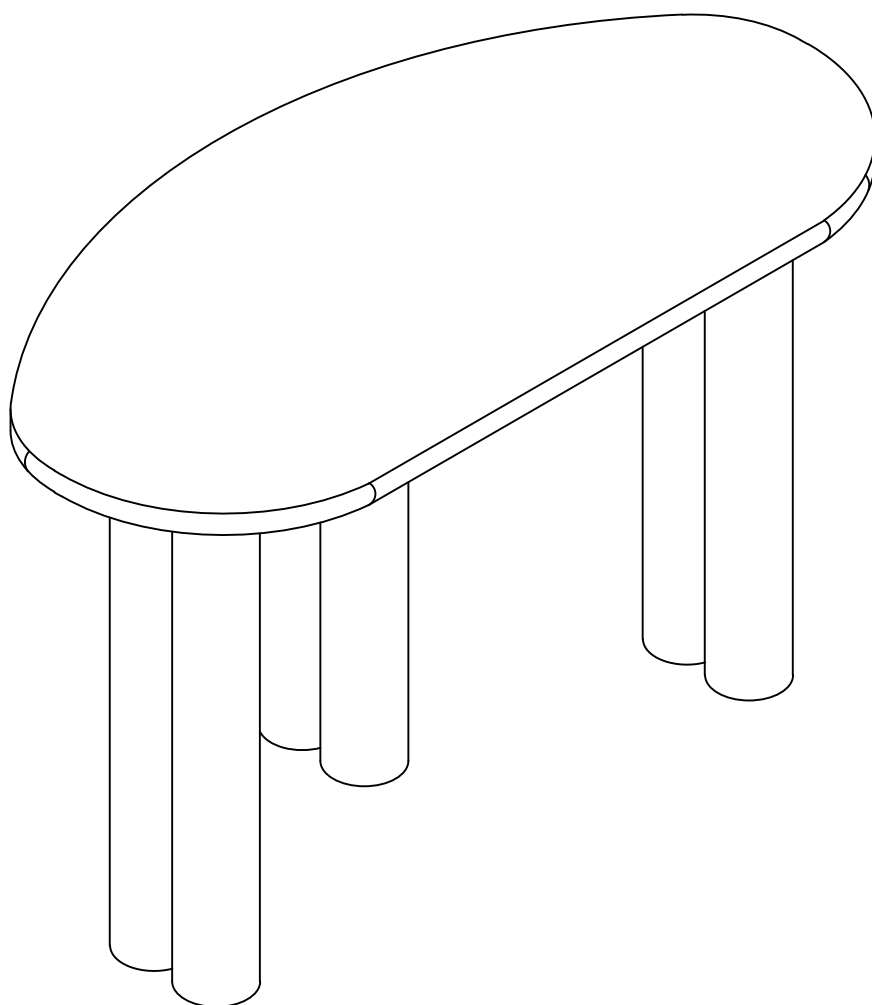
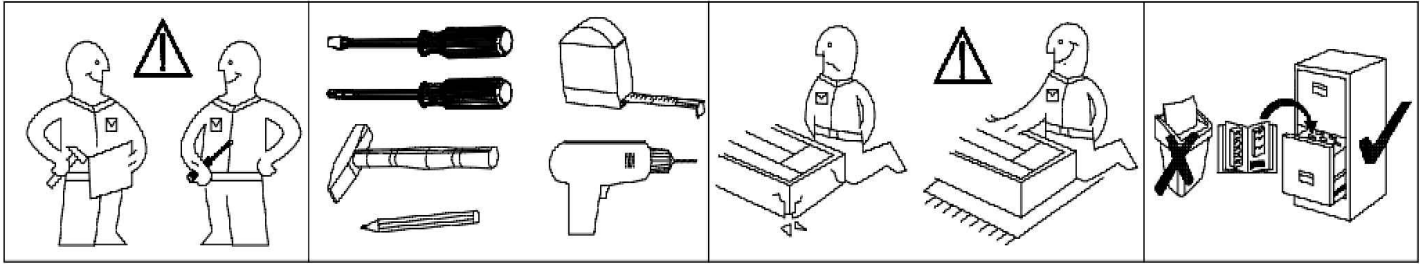



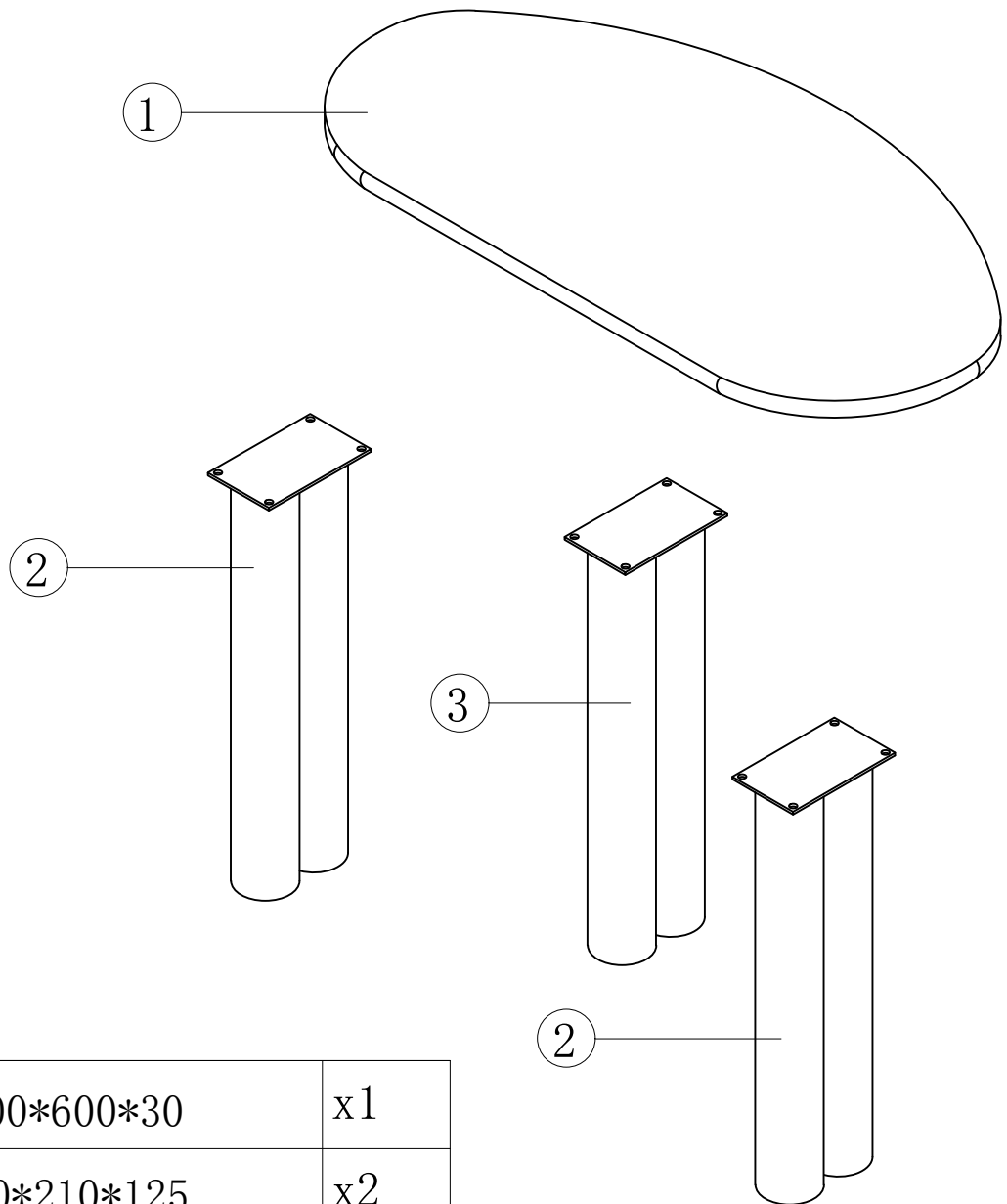


**Assembly
instructions**
instukcja montażu






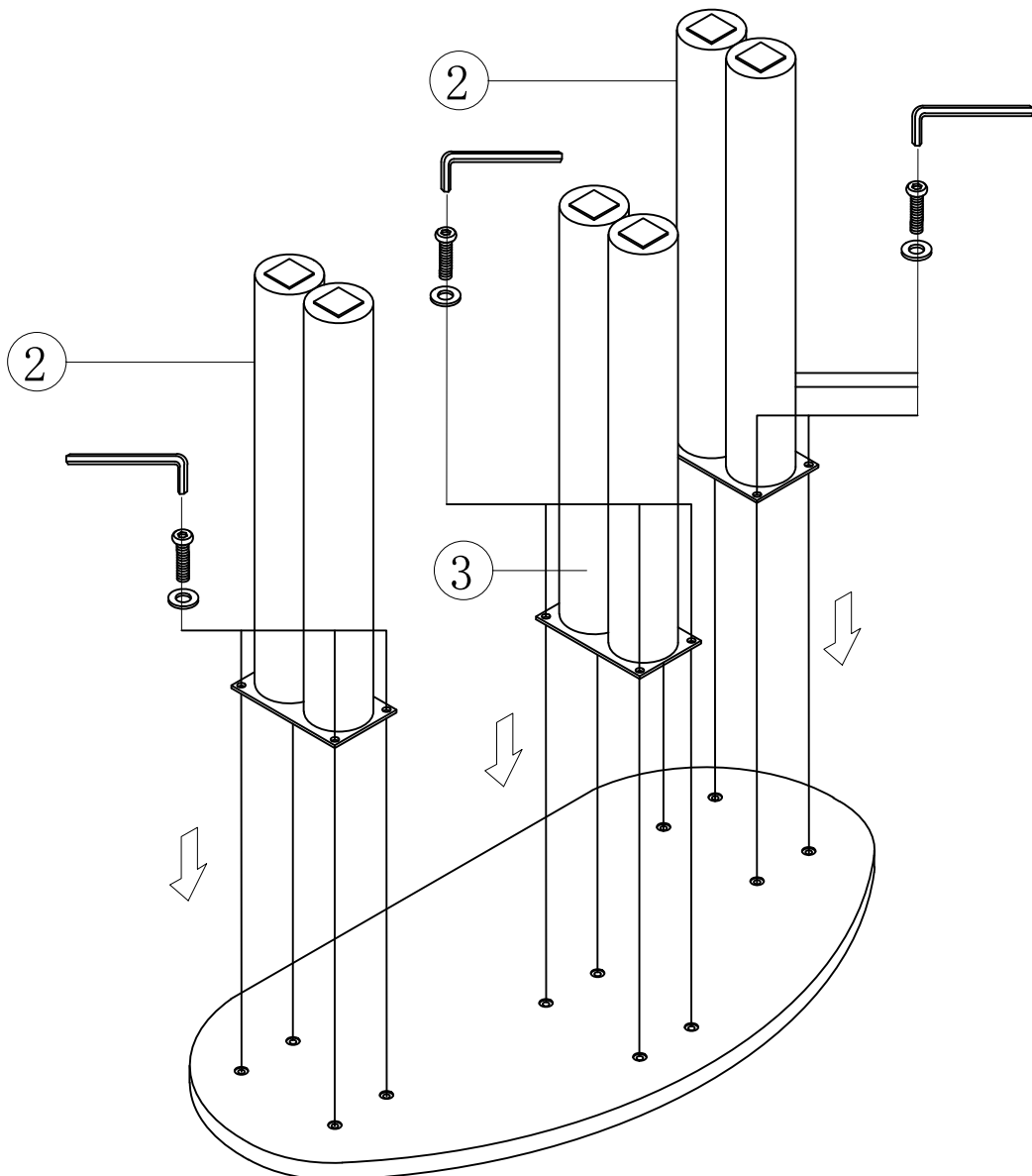


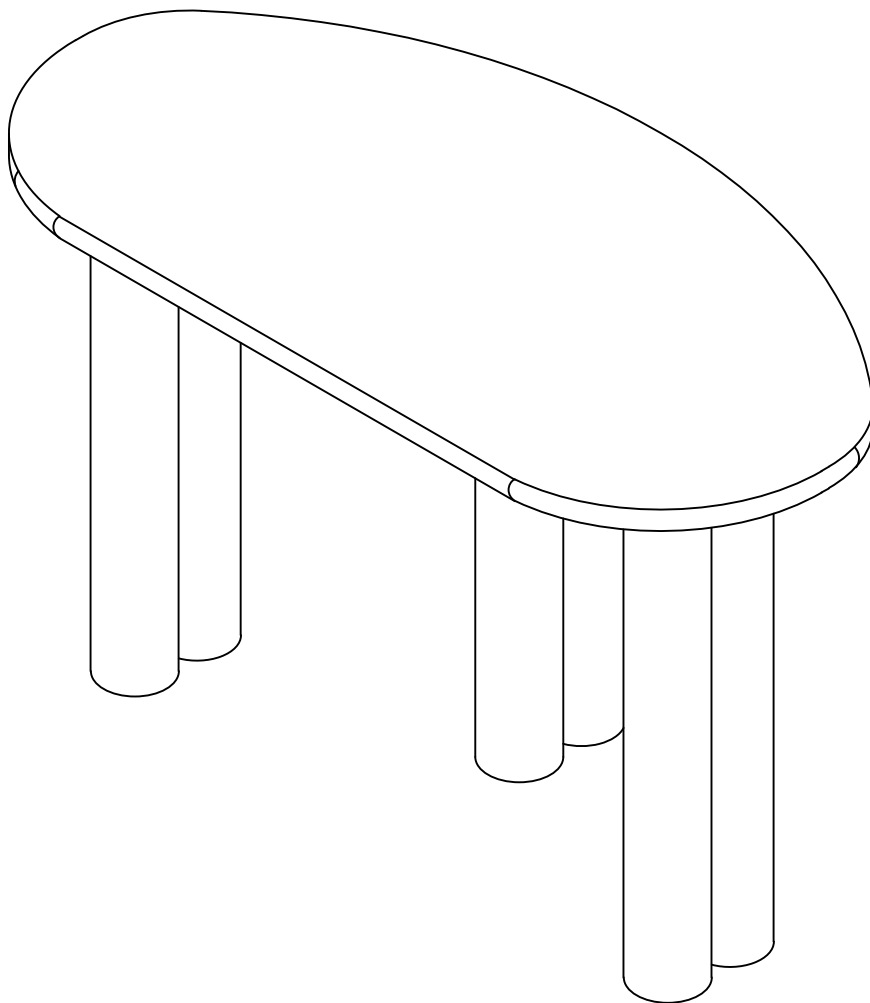
5/16" * 3/4"		5/16"		5MM	
					
A	x12	B	x12	C	x1



1	1200*600*30	x1
2	730*210*125	x2
3	730*210*125	x1

5/16" * 3/4"	5/16"	5MM
		
A x12	B x12	C x1





Congratulations!

**Now... you have
good design
in your home!**

Share your style!

#Lectus24



Company address:

Martyna Kostka Lectus Health & Beauty
ul. Ks. Koziółka 18a
47-303 Krapkowice