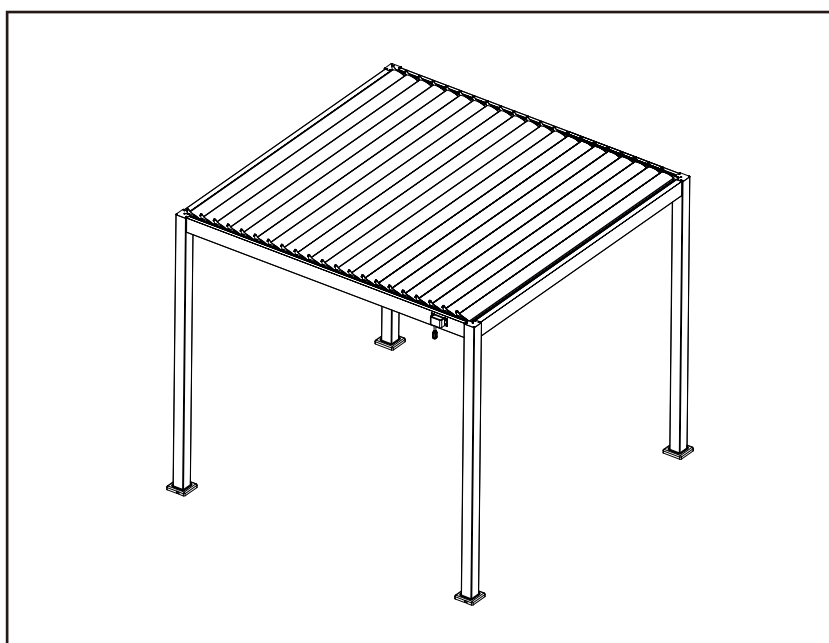
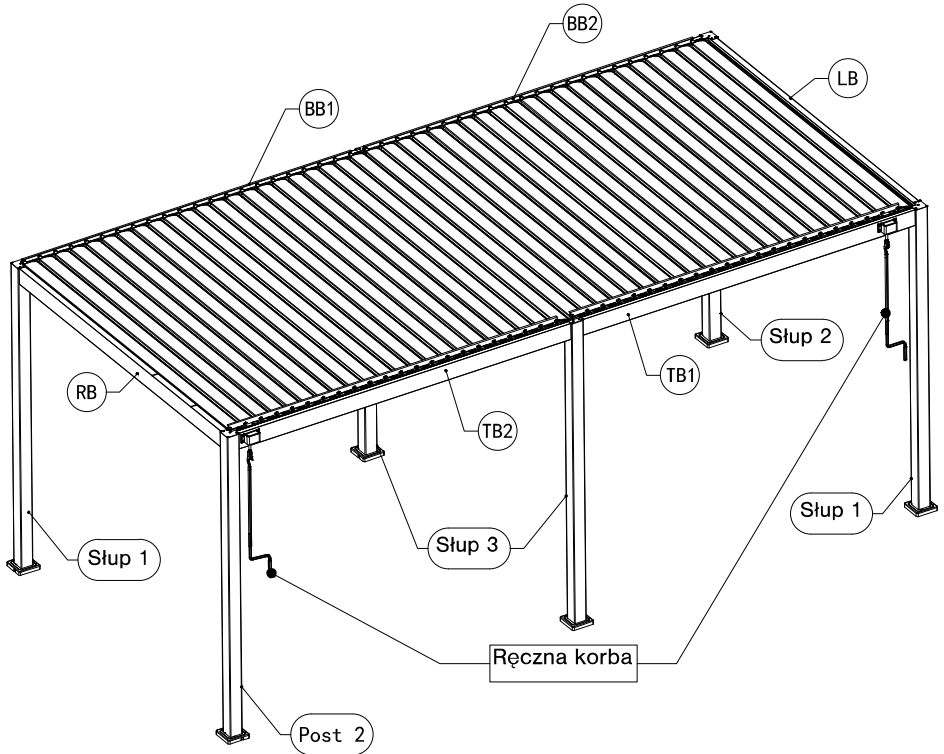


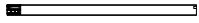
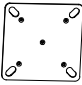
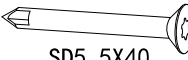
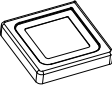
Instrukcja montażu

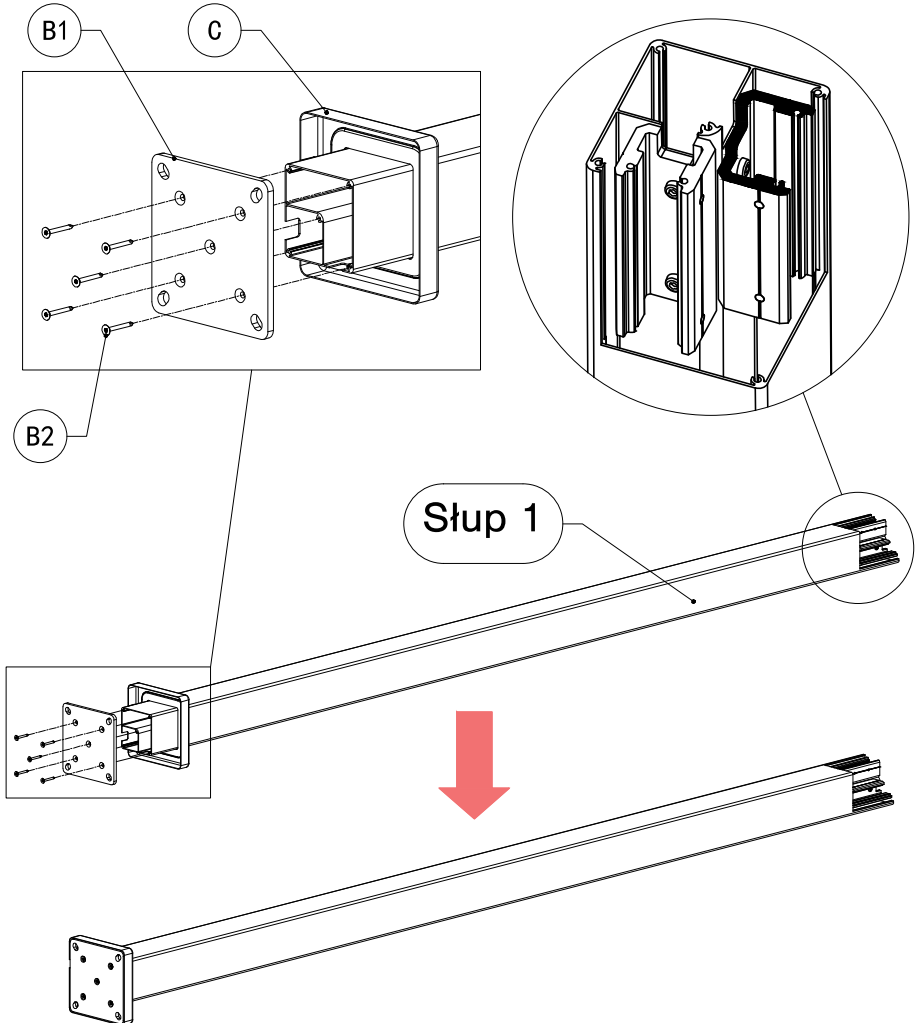



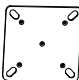
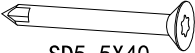
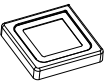


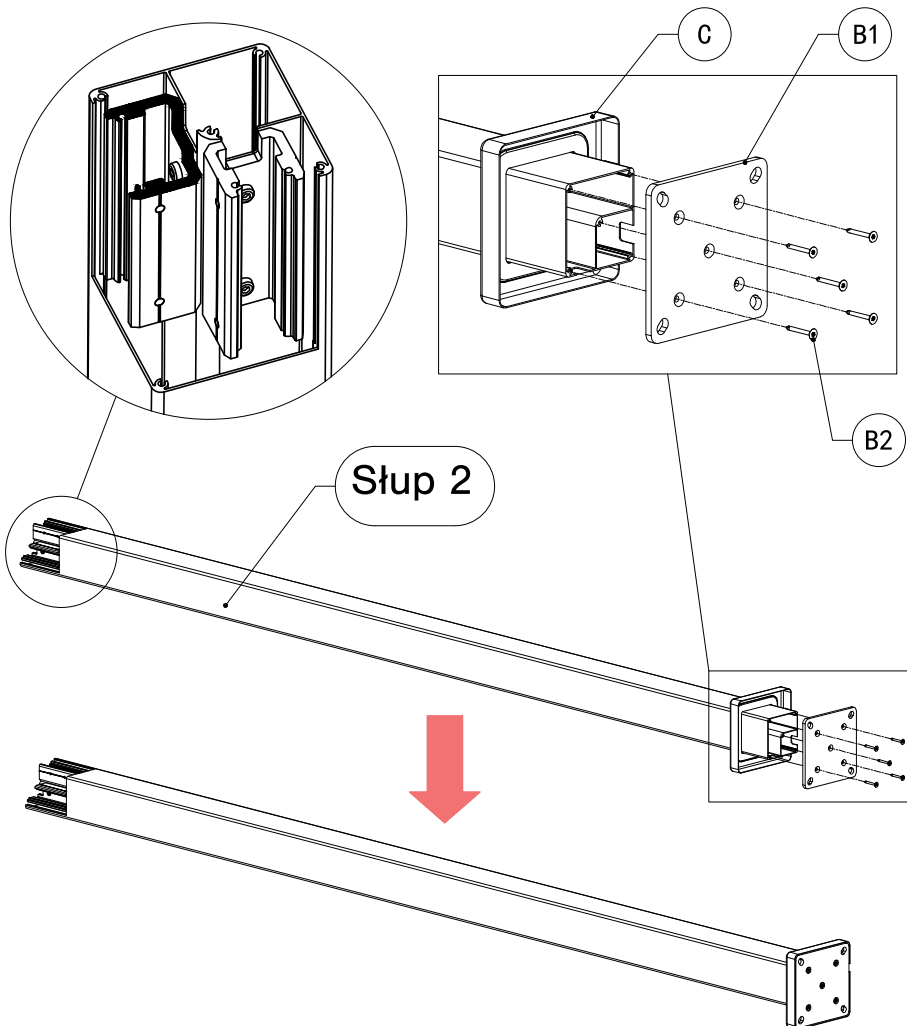
Wskazówka: Przed wkręcaniem śrub użyj smaru, co zmniejszy tarcie i ułatwi ich wkręcanie.


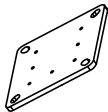

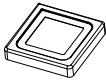
Belki	TB1		X1	Narzędzia	Imbus		X (2+2)
	TB2		X1		Imbus		X (1+1)
	BB1		X1		Rękawiczki		X2
	BB2		X1		Ręcznik		X1
	LB		X1		Smar		X1
	RB		X1		Śrubokręt		X1
	Listwa sterująca		X4	Części	H		X10
	Oslona belki 1		X2		E		X4
	Oslona belki 2		X2		U		X2
	Korba ręczna		X2				
Stupy	Słup 1		X2				
	Słup 2		X2				
	Słup 3		X2				
	B (6x3m)		X (4+25+2+18)				
	C (6x3m)		X6				
	K (6x3m)		X (4+12+16)				
	F		X (2+12)				
Lamele		X44					
Komponenty	H		X180				
	R		X92				
	E (6x3m)		X24				
	U (6x3m)		X24				
	O		X4				
	G		X (2+8+2)				
	V		X (2+2+2+8)				

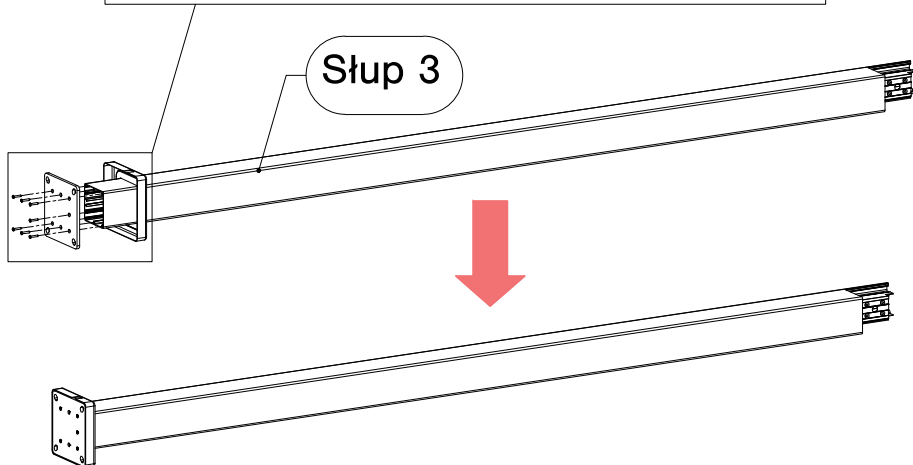
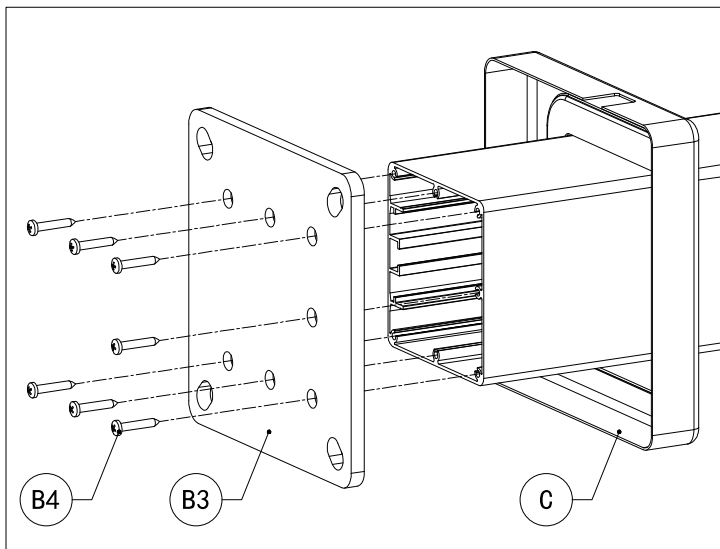
<p>Step 1</p>  <p>x2</p>	<p>B</p> <p>B1</p>  <p>x2</p>	<p>B2</p>  <p>SD5. 5X40</p> <p>x10</p>	<p>C</p>  <p>x2</p>
------------------------------------------------------------------------------------------------------------------	-----------------------------------------------------------------------------------------------------------------------	-------------------------------------------------------------------------------------------------------------------------	-------------------------------------------------------------------------------------------------------------

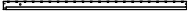




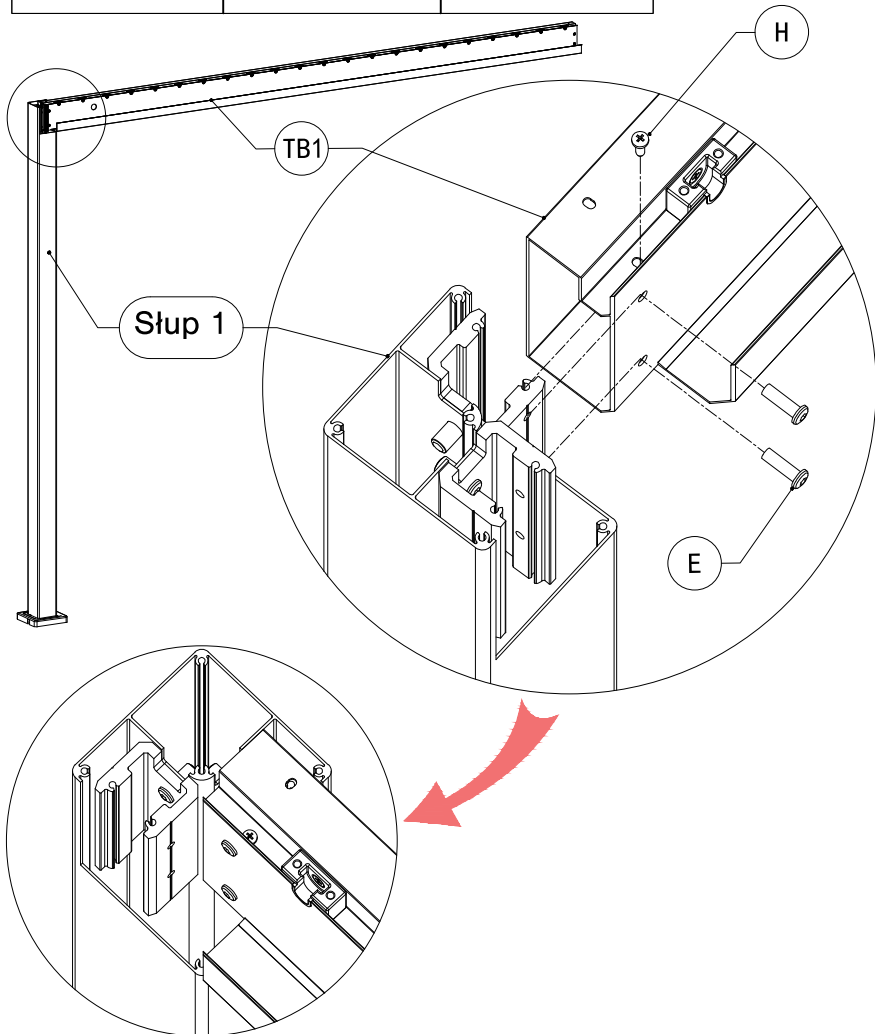
Step 2  x2	B B1  x2	B2  SD5. 5X40 x10	C  x2
----------------------------------------------------------------------------------------------------------	-----------------------------------------------------------------------------------------------------------	-------------------------------------------------------------------------------------------------------------	-----------------------------------------------------------------------------------------------------





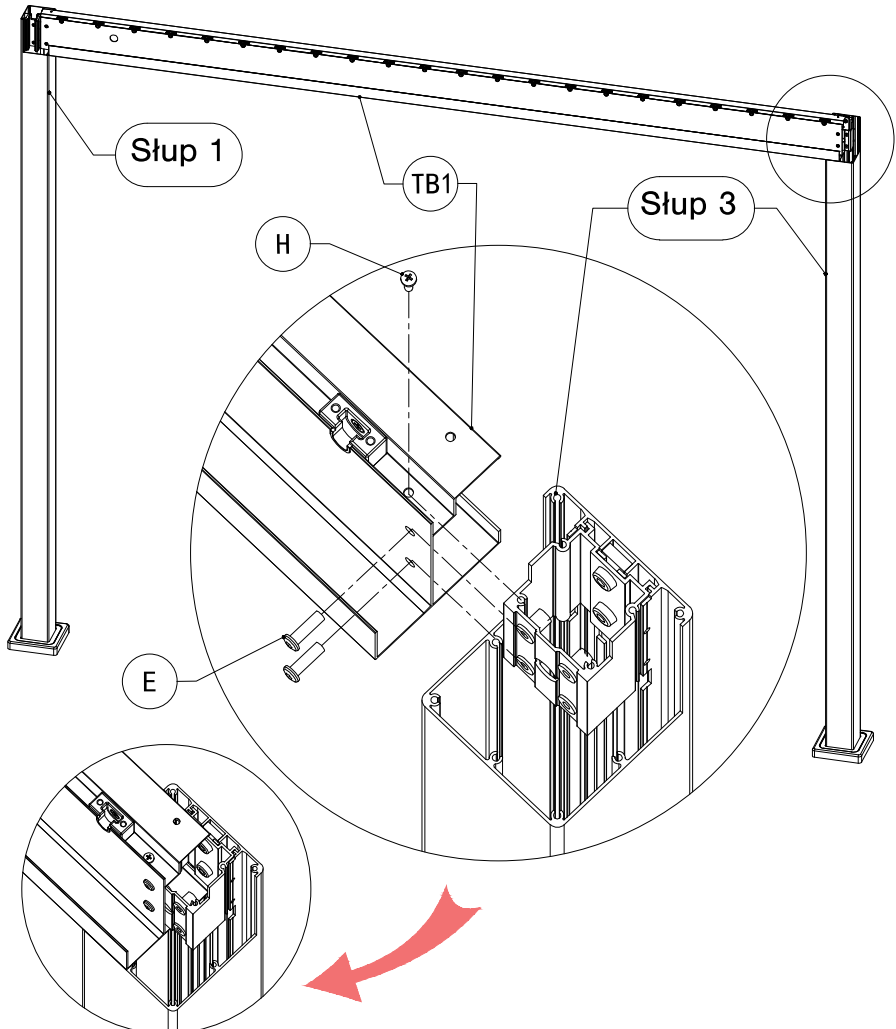
<p>Step 3</p>  <p>x2</p>	<p>B</p> <p>B3</p>  <p>x2</p>	<p>B4</p>  <p>ST4. 2X25</p> <p>x14</p>	<p>C</p>  <p>x2</p>
------------------------------------------------------------------------------------------------------------------	-----------------------------------------------------------------------------------------------------------------------	-------------------------------------------------------------------------------------------------------------------------	-------------------------------------------------------------------------------------------------------------

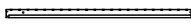
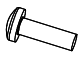



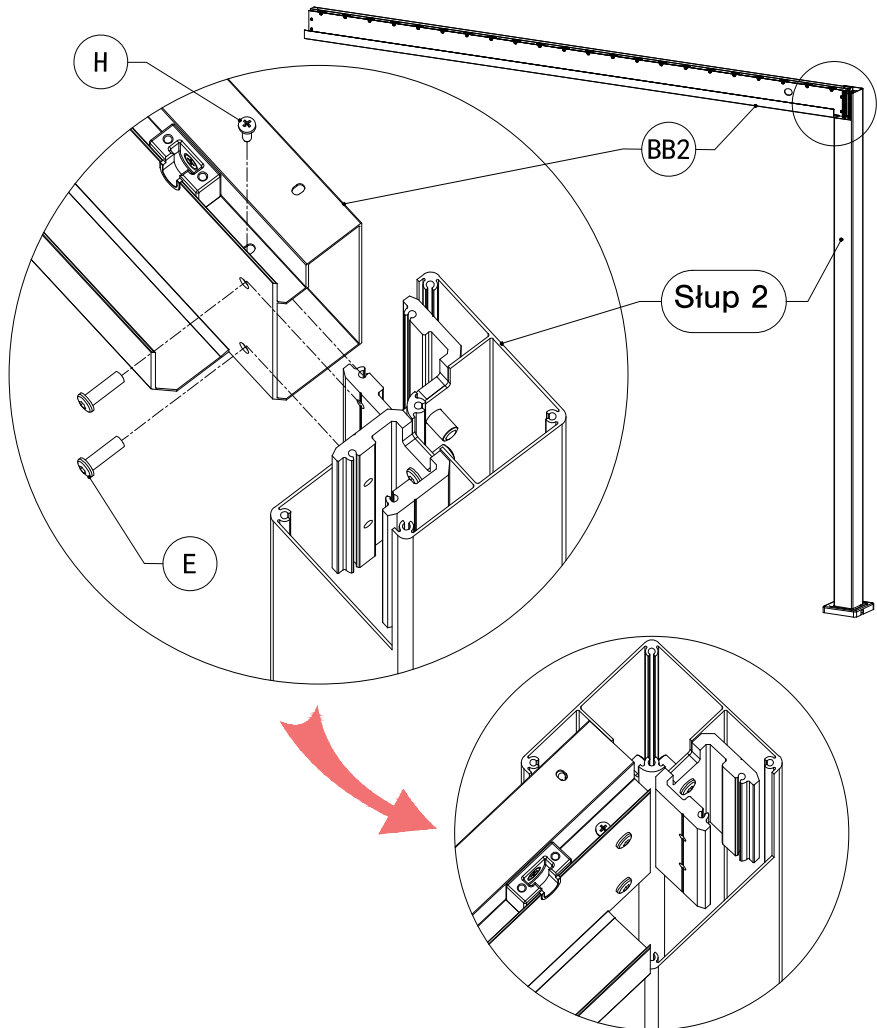
TB1  x1	E  M6X16 x2	H  ST4. 2X16 x1
-------------------------------------------------------------------------------------------------------	--------------------------------------------------------------------------------------------------------------	------------------------------------------------------------------------------------------------------------------

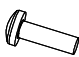
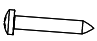


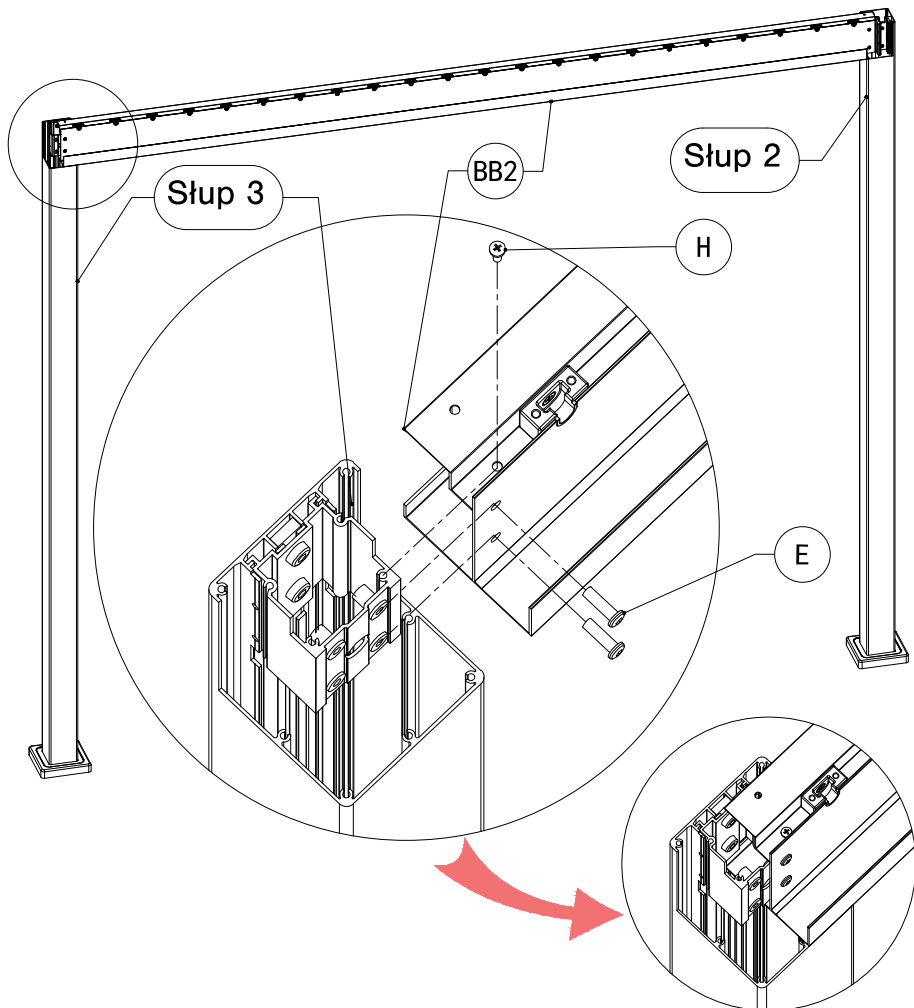
E  M6X16 x2	H  ST4. 2X16 x1
------------------------------------------------------------------------------------------------------------------	----------------------------------------------------------------------------------------------------------------------





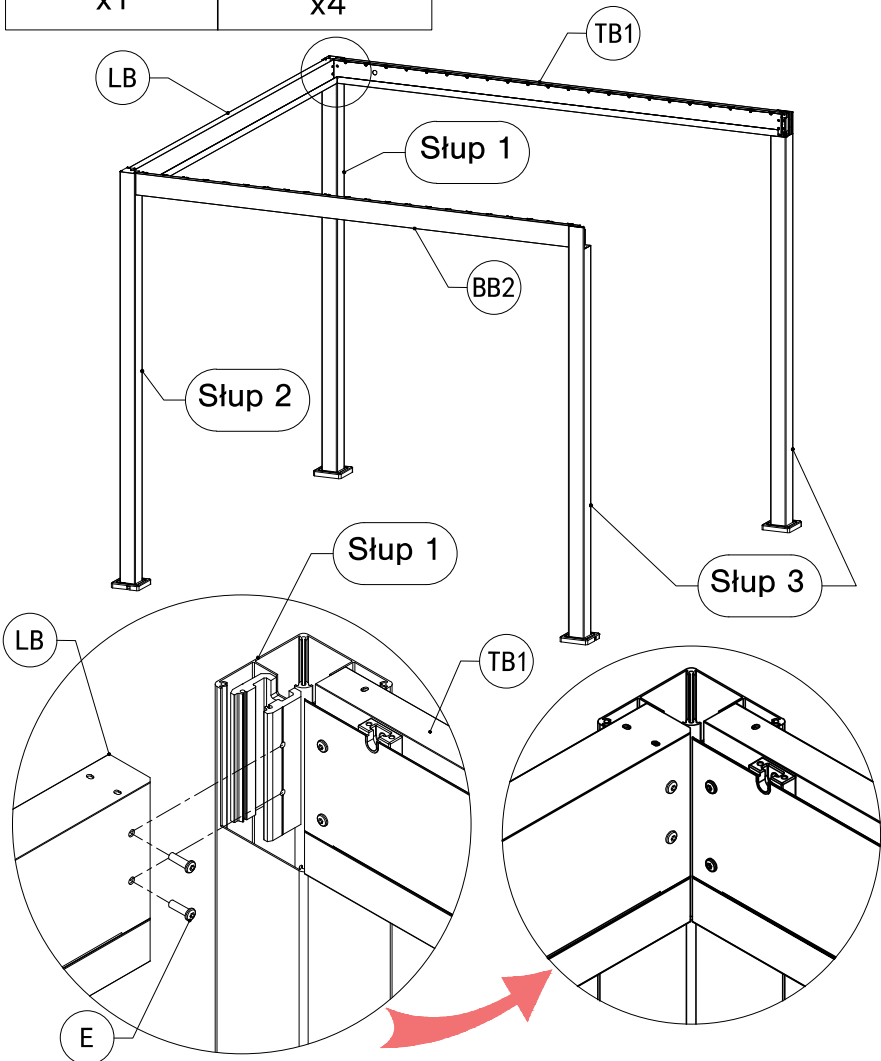
BB2  x1	E  M6X16 x2	H  ST4. 2X16 x1
-------------------------------------------------------------------------------------------------------	--------------------------------------------------------------------------------------------------------------	------------------------------------------------------------------------------------------------------------------

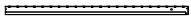




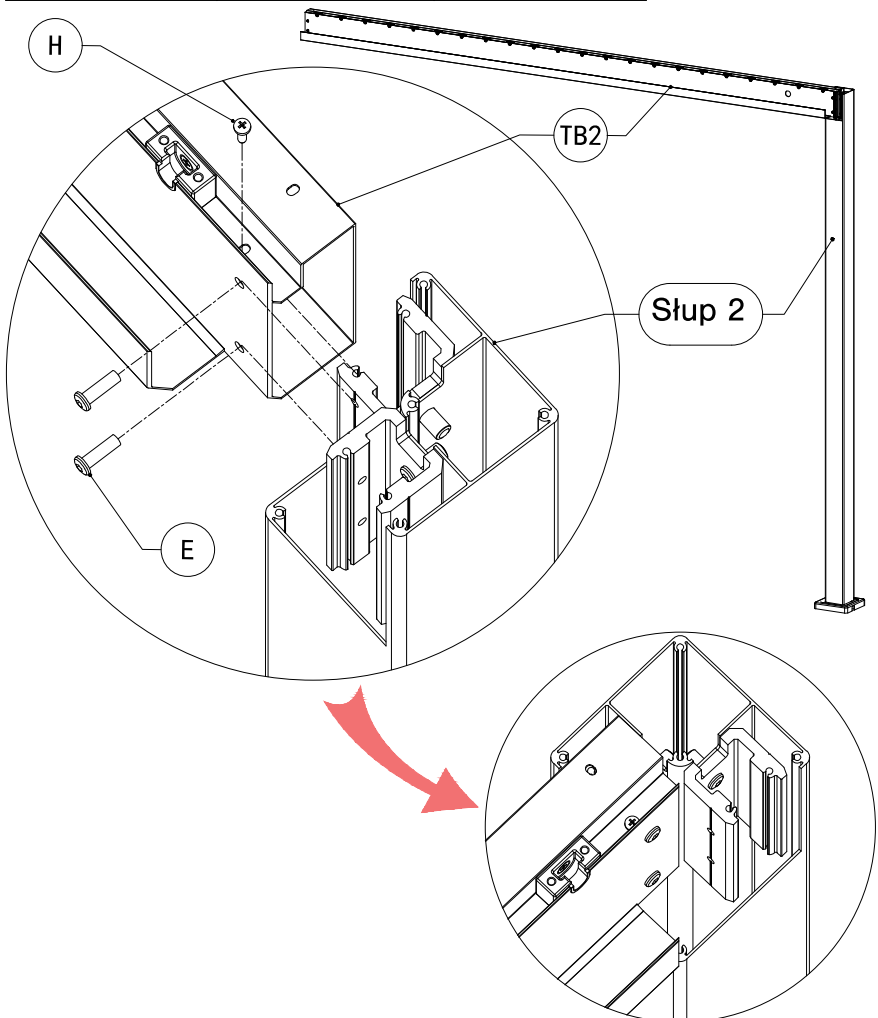
<p>E</p>  <p>M6X16</p> <p>x2</p>	<p>H</p>  <p>ST4. 2X16</p> <p>x1</p>
--------------------------------------------------------------------------------------------------------------------------	------------------------------------------------------------------------------------------------------------------------------

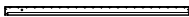




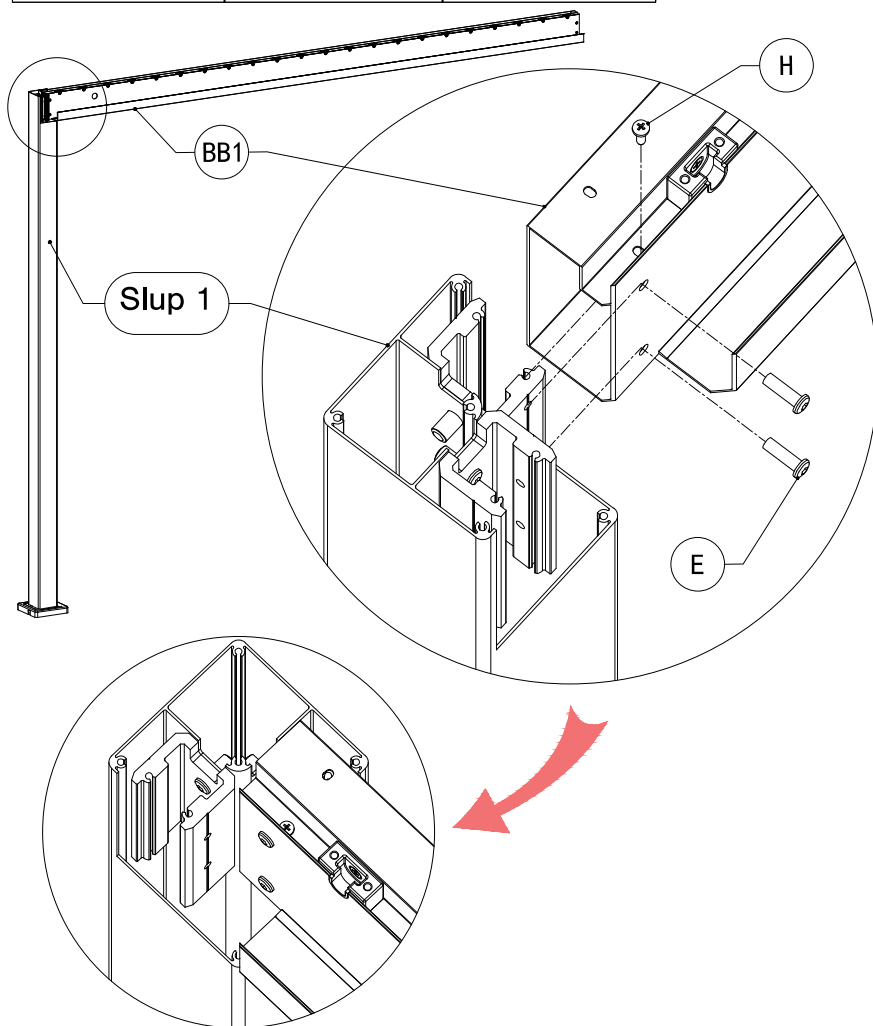
LB  x1	E  M6X16 x4
------------------------------------------------------------------------------------------------------	--------------------------------------------------------------------------------------------------------------





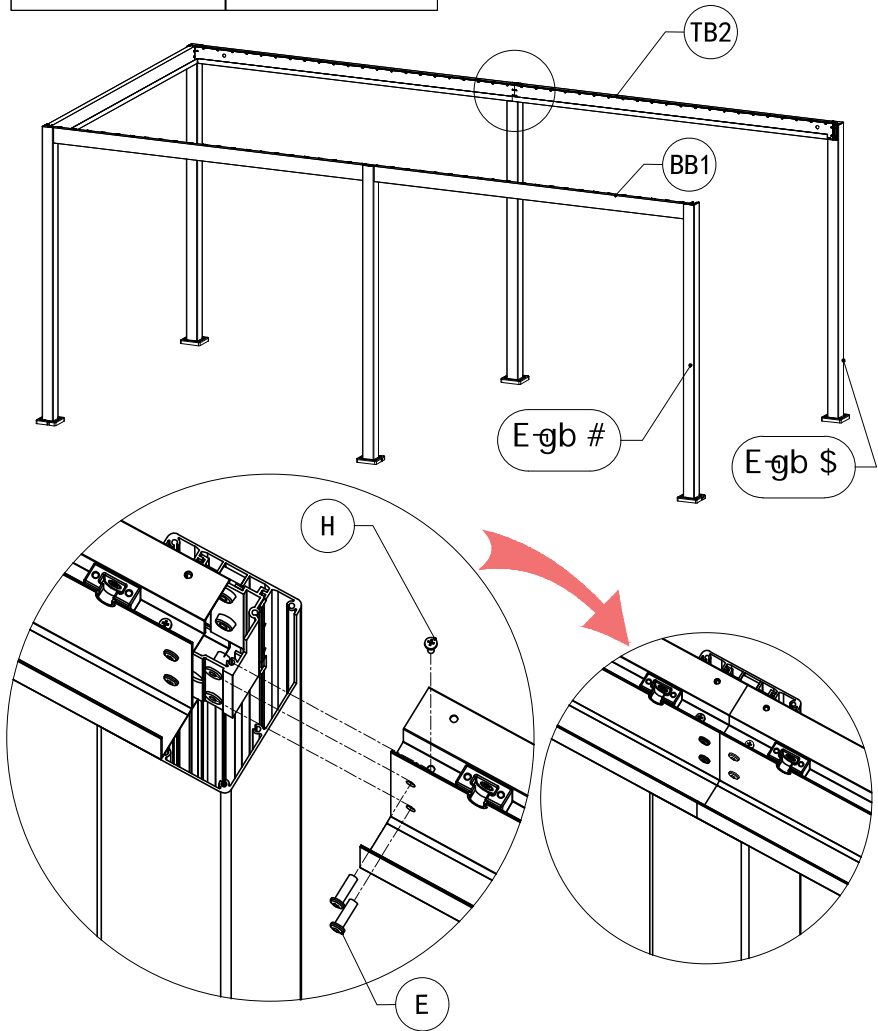
<p>TB2</p>  <p>x1</p>	<p>E</p>  <p>M6X16</p> <p>x2</p>	<p>H</p>  <p>ST4. 2X16</p> <p>x1</p>
---------------------------------------------------------------------------------------------------------------	--------------------------------------------------------------------------------------------------------------------------	------------------------------------------------------------------------------------------------------------------------------





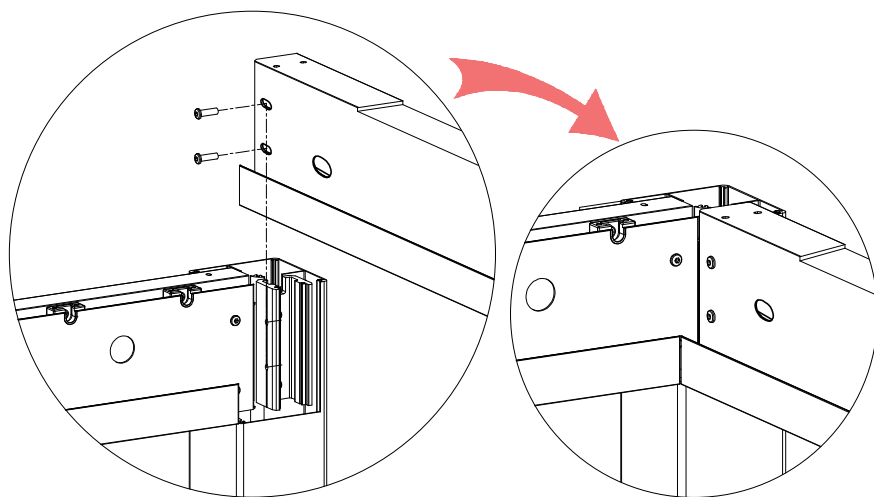
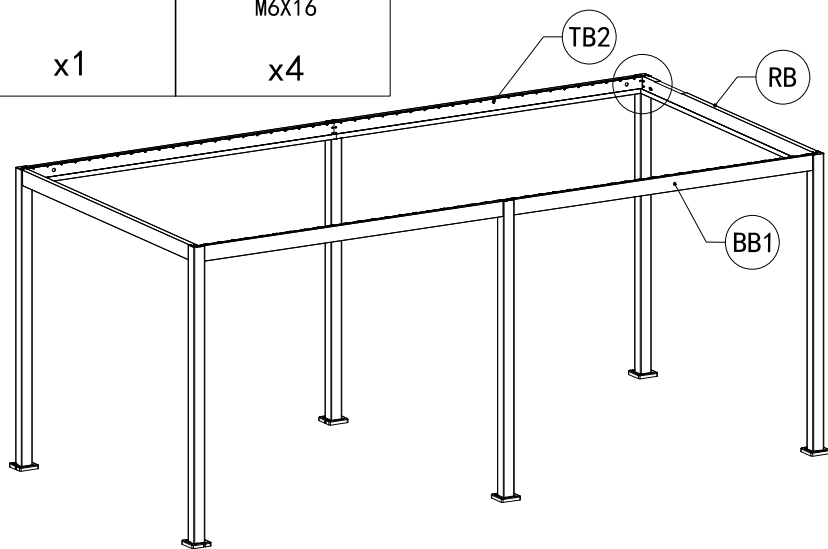
<p>BB1</p>  <p>x1</p>	<p>E</p>  <p>M6X16</p> <p>x2</p>	<p>H</p>  <p>ST4. 2X16</p> <p>x1</p>
---------------------------------------------------------------------------------------------------------------	--------------------------------------------------------------------------------------------------------------------------	------------------------------------------------------------------------------------------------------------------------------

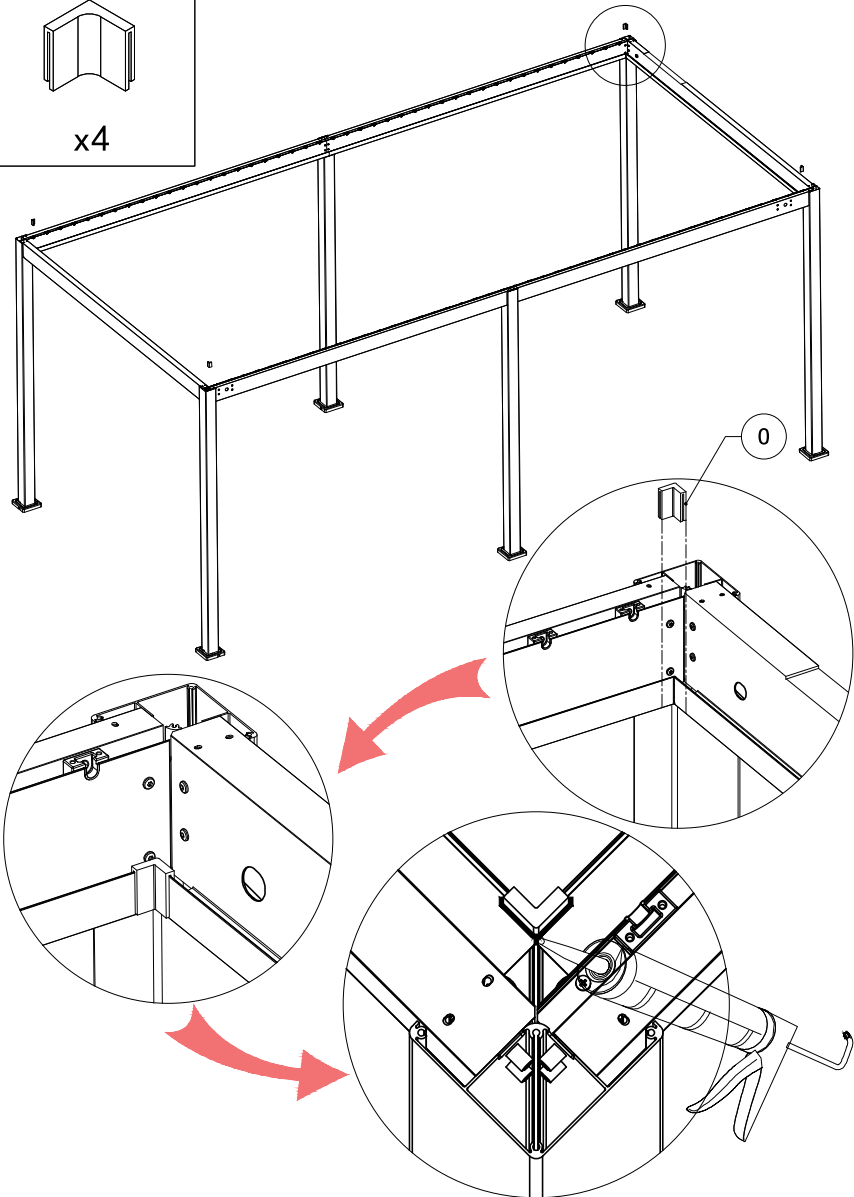
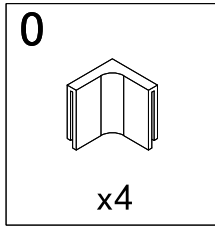


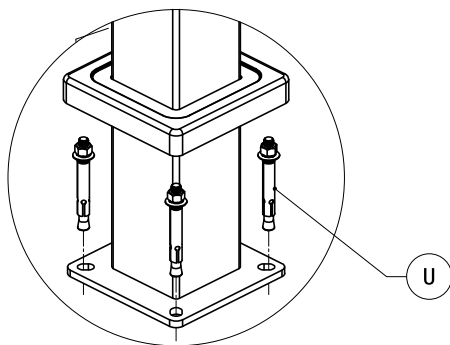
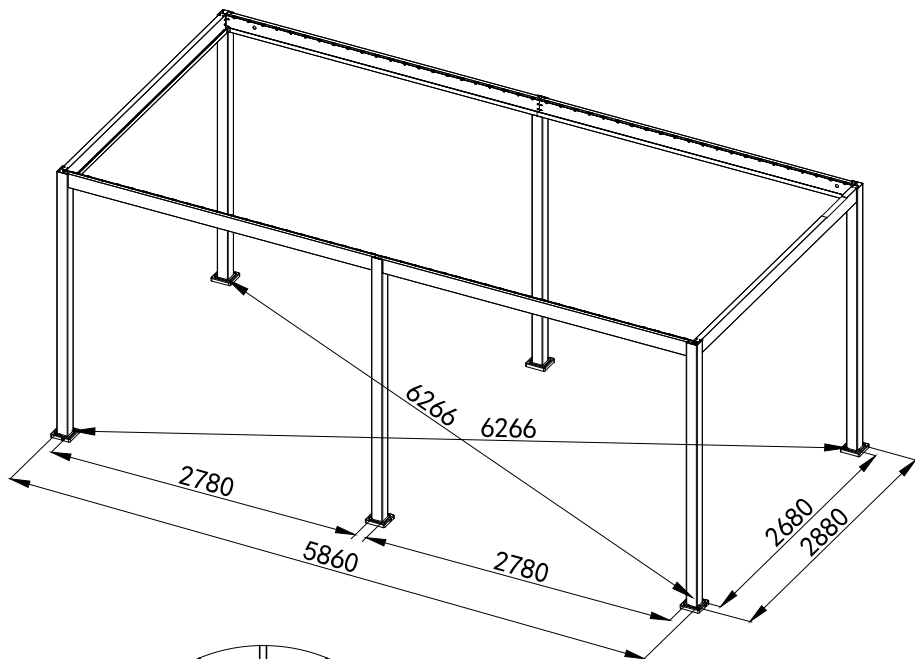
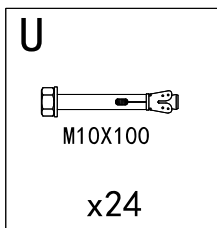
E  M6X16 x4	H  ST4. 2X16 x2
--------------------------------------------------------------------------------------------------------------	------------------------------------------------------------------------------------------------------------------

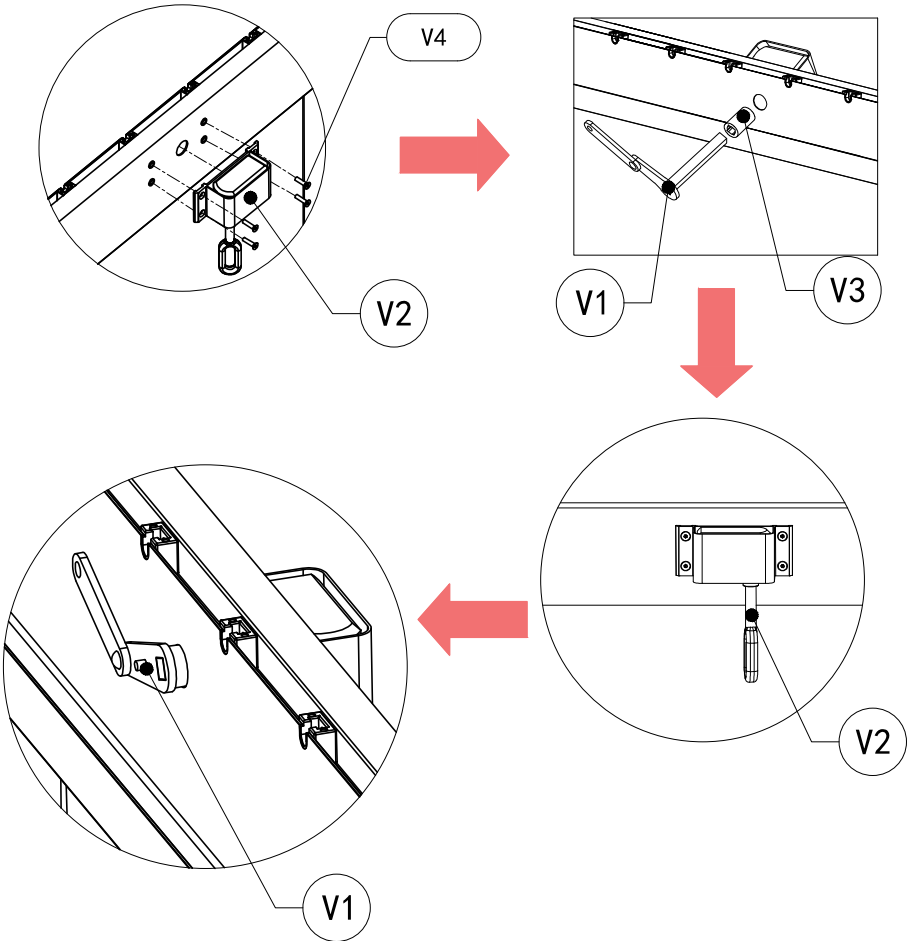
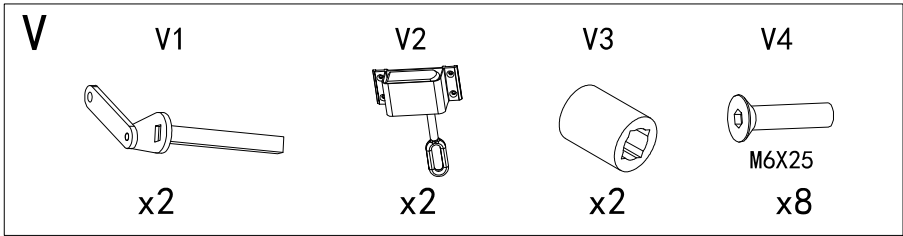



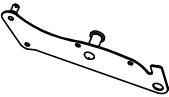

RB  x1	E  M6X16 x4
------------------------------------------------------------------------------------------------------	--------------------------------------------------------------------------------------------------------------

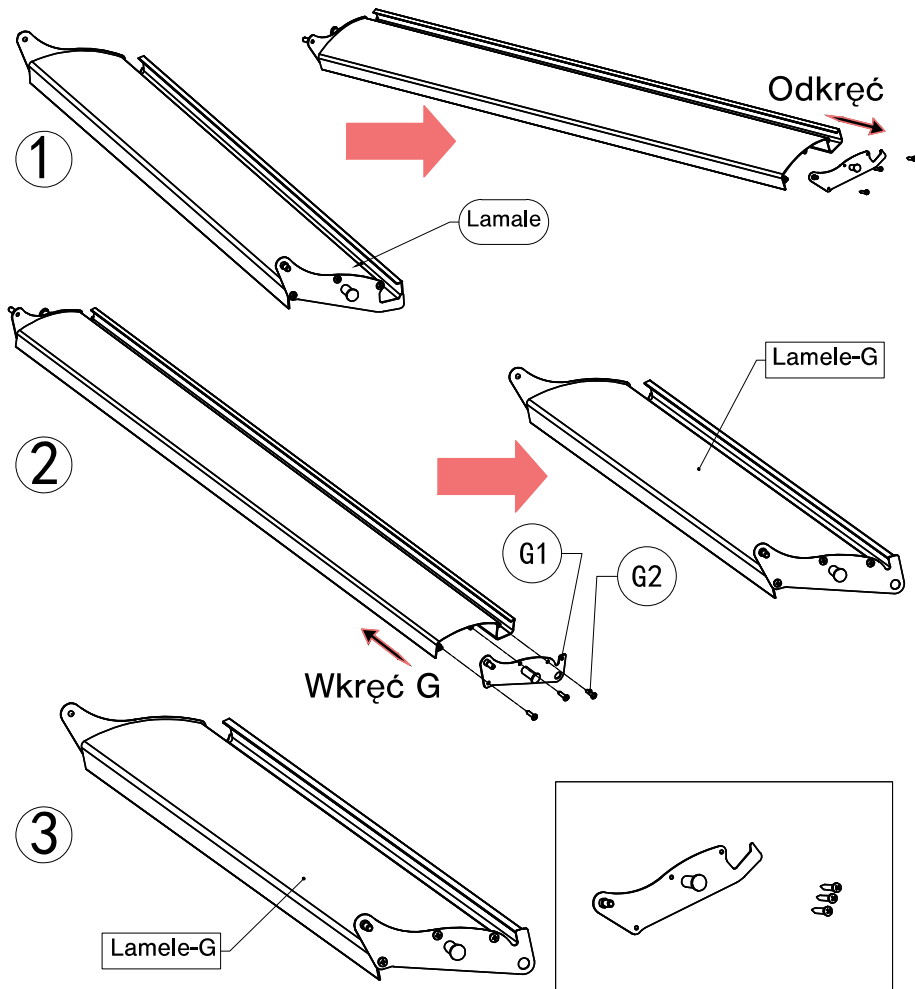


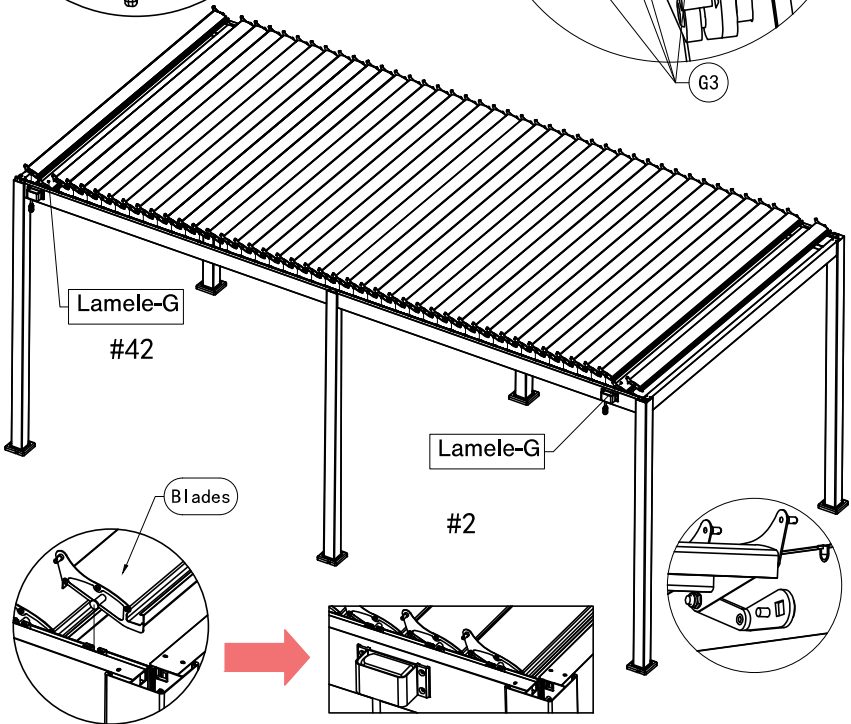
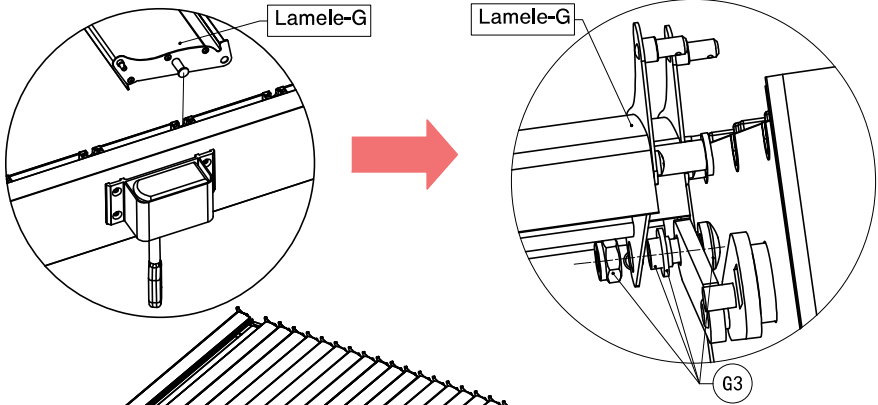
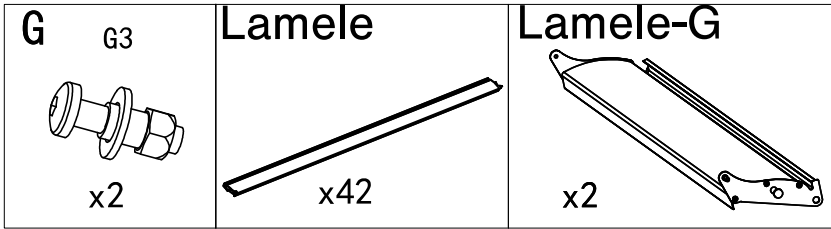


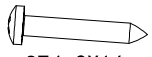




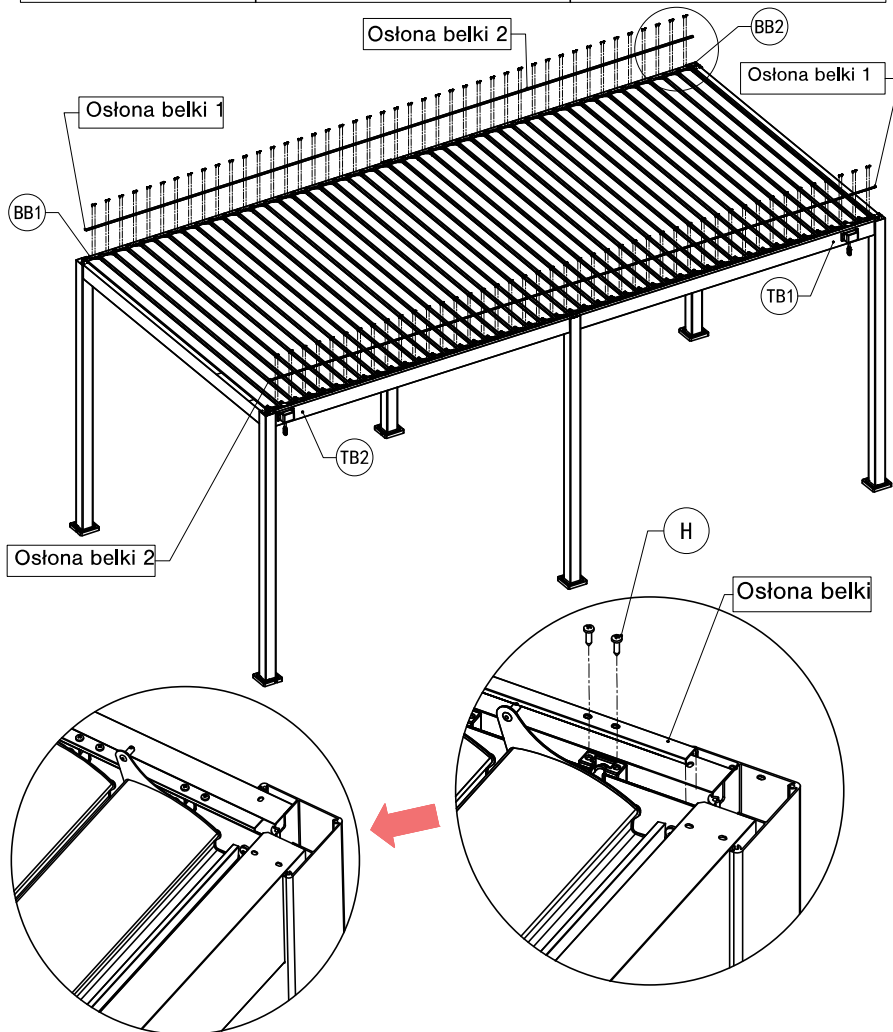


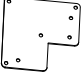
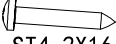
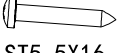

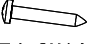
<p>Lamele</p>  <p>x2</p>	<p>G</p> <p>G1</p>  <p>x2</p>	<p>G2</p>  <p>ST4. 2X20</p> <p>x6</p>
------------------------------------------------------------------------------------------------------------------	-----------------------------------------------------------------------------------------------------------------------	------------------------------------------------------------------------------------------------------------------------

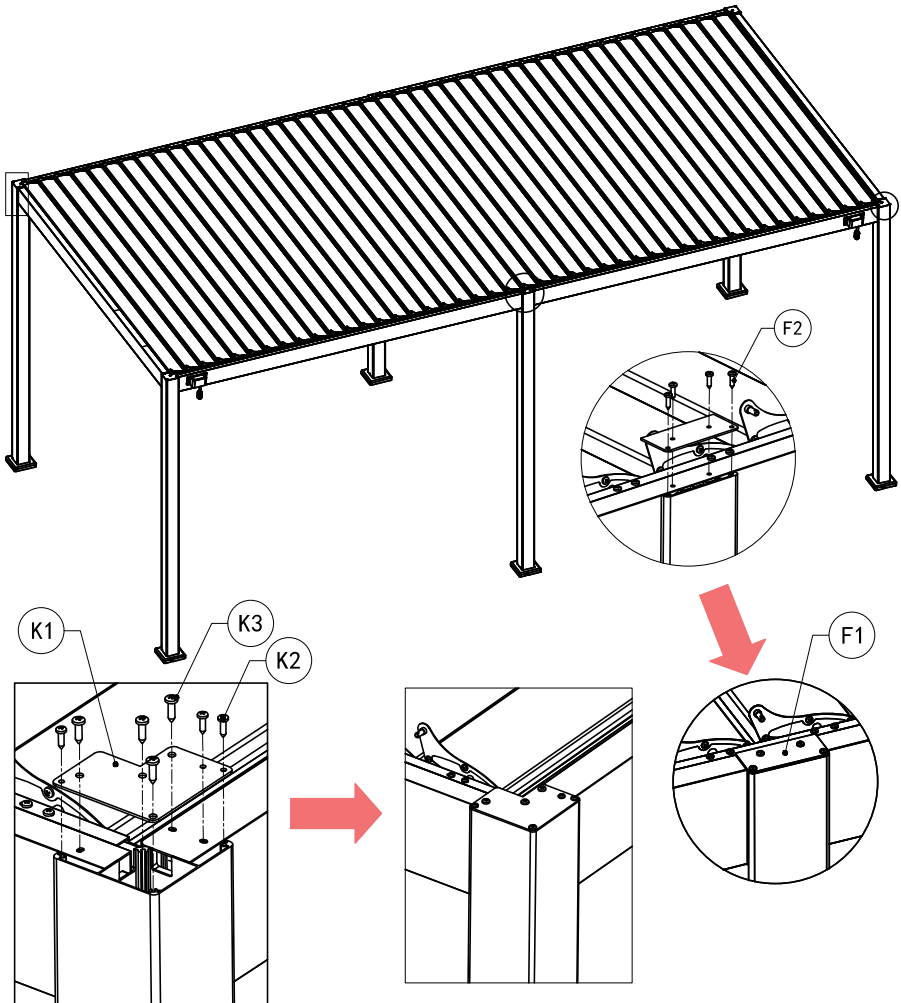


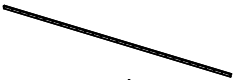
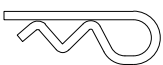


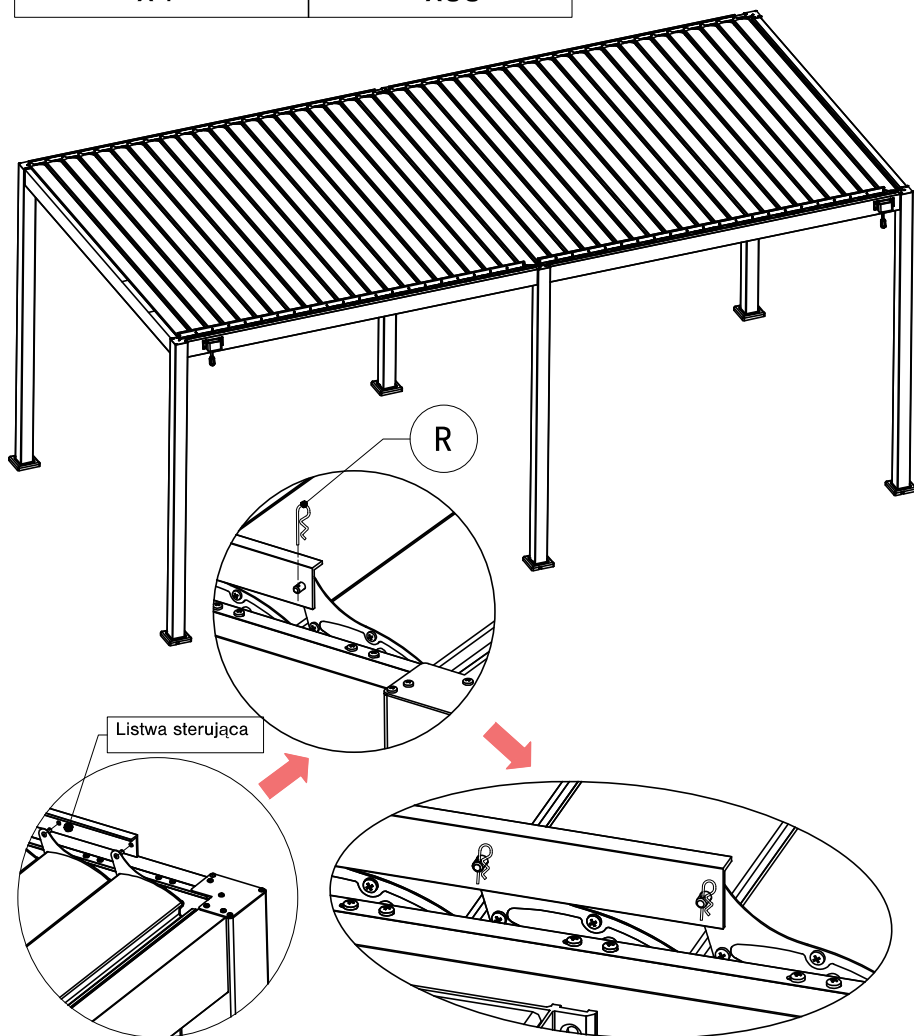
H	Osłona belki 1	Osłona belki 2
 ST4. 2X16 x176	 x2	 x2

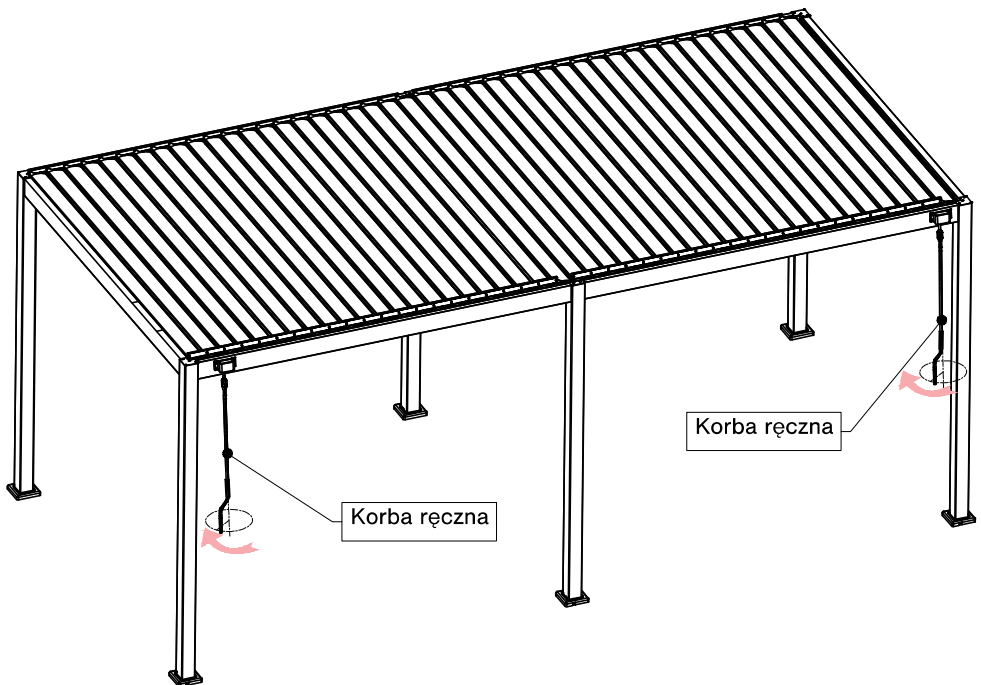
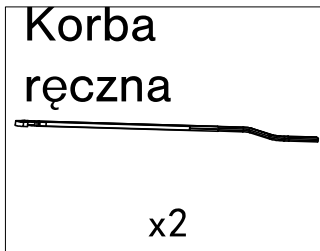


K			F	
K1	K2	K3	F1	F2
				
x4	x12	x16	x2	x8



<p>Listwa sterująca</p>  <p>x4</p>	<p>R</p>  <p>Ø1.5X28</p> <p>x88</p>
---------------------------------------------------------------------------------------------------------------------	----------------------------------------------------------------------------------------------------------------------





Gratulacje!

**A teraz... ciesz się
pięknym designem
w swojej przestrzeni!**

Podziel się swoimi aranżacjami!

#Lectus24



www.lectus24.pl

Company address:

Martyna Kostka Lectus Health & Beauty
ul. Ks. Koziółka 18a
47-303 Krapkowice